



Packaged Gas/Electric Rooftop Units

Precedent™
YSC060-120
50 Hz





Introduction



Precedent™ . . . The same Trane quality... with added flexibility. Precedent is a flexible line of packaged units that covers a wide variety of applications.

ReliTel™ microprocessor controls provide superior flexibility for the simplest to the most sophisticated applications. In addition to controls, Precedent offers many other outstanding features and option choices.

With its sleek compact cabinet, rounded corners and beveled top, it may just be the most aesthetically pleasing packaged unit on the planet. And, of course, Precedent carries the Trane reputation for excellence, quality, and reliability. *It's hard to stop a Trane.*

From simple applications, to the most complex, Precedent has the solution.

Contents

Introduction	2
Features and Benefits	4
Application Considerations	9
Selection Procedure	10
Model Number Description	12
General Data	13
Performance Data	14
Zone Controls	42
Electrical Data	43
Jobsite Connection	44
Dimensional Data	45
Weights	53
Mechanical Specifications	54

Features and Benefits



Unit Cabinet

The compact cabinet with rounded corners takes up less room and is less costly to ship. The beveled and ribbed top is not only aesthetically pleasing, it is designed to prevent water from pooling.

Single Point Power

A single electrical connection powers the unit.



Compressors

Precedent™ contains the best compressor technology available to achieve the highest possible performance. Our compressor line includes Trane built Climatuff™ reciprocating and scrolls.

Easy Access Panels

Easy access panels reduce the number of possible water entry points.

Low Ambient Cooling

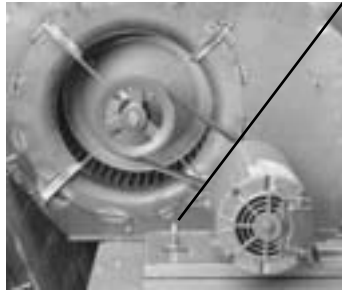
All Precedent units have cooling capabilities down to -18°C (0°F) as standard.

Easy Access Panels

Remove two screws for access to the standardized internal components and wiring.

Easy-Adjust Idler Arm

With the Easy-Adjust Idler Arm, the belt and sheaves can be quickly adjusted without moving the mounted fan motor. The result is a major savings in time and money.



Patented Condenser Coil

Precedent boasts a patented 1+1+1 Hybrid coil, permanently gapped for easy cleaning.



Colored And Numbered Wiring

You save time and money tracing wires and diagnosing the unit.

Convertible Units

- The units ship in a downflow configuration. They can be easily converted to horizontal by simply moving two panels.
- Units come complete with horizontal duct flanges so the contractor doesn't have to field fabricate them. These duct flanges are a time and cost saver.



Unit Base

For added water integrity, Precedent has a raised 29 mm (1 1/8") lip around the unit's downflow supply and return to prevent water from blowing into the ductwork.

Sloped Drain Pans

Every Precedent unit has a non-corrosive, removable, double-sloped drain pan that's easy to clean and reversible to allow installation of drain trap on either side of the unit.

Through the Base Condensate

Every unit includes provisions for through the base condensate drain connections. This allows the drain to be connected through the roof curb instead of a roof penetration.

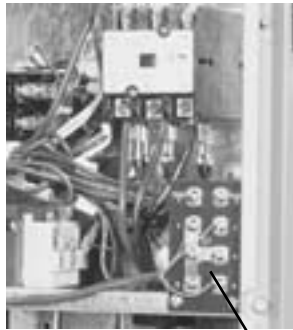
Foil-Faced Insulation

All panels in the Evaporator section of the unit have cleanable foil-faced insulation. All edges are either captured or sealed to ensure no fibers get into the airstream.

Features and Benefits

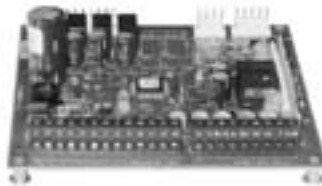
Standardized Components

- Components are placed in the same location on all Precedent™ units. Familiarize yourself with one Precedent and you are familiar with every Precedent.



Easy Access Low Voltage Terminal Board

Precedent's Low Voltage Terminal Board is external to the electrical control cabinet. It is extremely easy to test operation of all unit functions. This is another cost and time saving installation feature.



Low Voltage Connections

The wiring of the low voltage connections to the unit and the zone sensors is as simple as 1-1, 2-2, and 3-3. This simplified system makes it easy for the installer to wire.

Single-Side Service

Single-side service is standard on all Precedent units.

Progressive Tubular Heat Exchanger

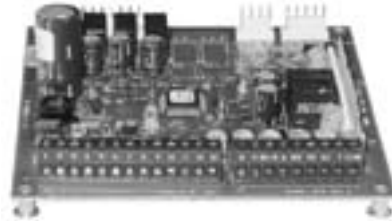
The compact cabinet features a tubular heat exchanger in low, medium and high heat capacities.

The heat exchanger is fabricated using stainless steel burners and corrosion-resistant aluminized steel tubes as standard on all models. It has an induced draft blower to pull the gas mixture through the burner tubes. The heater has a direct spark ignition system which doubles as a safety device to prove the flame.

Flexible Applications

- Only two roof curbs for the 5-10 ton Precedent line. . .simplifies curb selection.
- ReliaTel microprocessor controls to meet either the simple or the more complex application.
- Low or high gas heat capacities.
- Airflow is outstanding. The Precedent can replace an older machine with old ductwork and, in many cases, improve comfort through better air distribution.
- Belt drive — standard or oversized supply fan motors meet a wide airflow range.
- Precedent offers ultimate flexibility. Options and components are not pre-packaged at the factory. Units are built to order in our standard "shortest in the industry" ship cycle time.

Features and Benefits



Micro Controls

Several years ago, Trane was the first to introduce microprocessor controls into the Light Commercial Market. That design, along with immeasurable experience, has provided the technology for Trane's second-generation ReliaTel™ microprocessor controls.

ReliaTel Micro:

- Provides unit control for heating, cooling, and ventilating by utilizing input from sensors that measure outdoor and indoor temperature.
 - Improves quality and reliability through the use of time-tested microprocessor controls and logic.
 - Prevents the unit from short cycling, considerably improving compressor life.
 - Ensures that the compressor will run for a specific amount of time, which allows oil to return for better lubrication, enhancing the reliability of the compressor.
 - Reduces the number of components required to operate the unit, thereby reducing possibilities for component failure.
- Eliminates the need for field-installed components with its built-in anti-short-cycle timer, time delay relay and minimum "on" time controls. These controls are factory tested to assure proper operation.
 - Requires no special tools to run the Precedent unit through its paces during testing. Simply place a jumper between Test 1 and Test 2 terminals on the Low Voltage Terminal Board and the unit will walk through its operational steps. The unit automatically returns control to the zone sensor after stepping through the test mode a single time, even if the jumper is left on the unit.
 - As long as the unit has power and the LED is lit, the Micro is operational. The light indicates that the Micro is functioning properly.
 - Features expanded diagnostic capabilities when used with Trane's Integrated Comfort™ Systems.
 - As an energy benefit, softens electrical "spikes" by staging on fans, compressors and heaters.
 - The Intelligent Fallback or Adaptive Control is a benefit to the building occupant. If a component goes astray, the unit will continue to operate at predetermined temperature set points.
 - Intelligent Anticipation is a standard feature of the Micro. Functioning constantly, the Micro and zone sensors work together in harmony, to provide tight comfort control.

Features and Benefits

Factory-installed Options

Hinged Access Doors

These doors permit easy access to the filter, fan/heat, and compressor/control sections. They reduce the potential roof damage from screws or sharp access door corners.

Economizer

Equipped with either dry bulb, reference or comparative enthalpy sensing, this feature provides free cooling as the outdoor temperature and/or humidity decreases. Economizers, correctly installed, offer valuable energy savings. Factory-installed economizers save time and ensure proper installation.

Phase Monitor

Phase monitor shall provide 100% protection for motors and compressors against problems caused by phase loss, phase imbalance, and phase reversal. Phase monitor is equipped with an LED that provides an ON or FAULT indicator.

Clogged Filter/Fan Fail Switches

These sensors allow a zone sensor service light or Integrated Comfort System to indicate a dirty filter or a fan that's not working. The field installation charges for these valuable feedback devices often eliminate them from consideration. Factory installation can make such features a good investment.

COMM3/4 Communication Interface

Available factory or field-installed. This module, when applied with ReliaTel™, easily interfaces with Trane's Integrated Comfort™ System.



The following options round-out the complete line of Precedent™ options:

- 0 - 50% Manual or Motorized Outside Air
- Discharge Air Sensor
- Hail Protection Quality Coil Guards
- Wide array of Zone Sensors and Thermostats
- Liquid Propane Conversion Kits
- Factory built Roof Curb

One of Our Finest Assets:

Trane Sales Representatives are a Support group that can assist you with:

- Product
- Application
- Service
- Training
- Special Applications
- Specifications
- Computer Programs and much more

Precedent has the features and benefits that make it first class in the light commercial rooftop market. Designed with input from field contractors and engineers, its airflow performance is outstanding.

Precedent...The same Trane quality...with added flexibility.

Features and Benefits

Quality And Reliability Testing

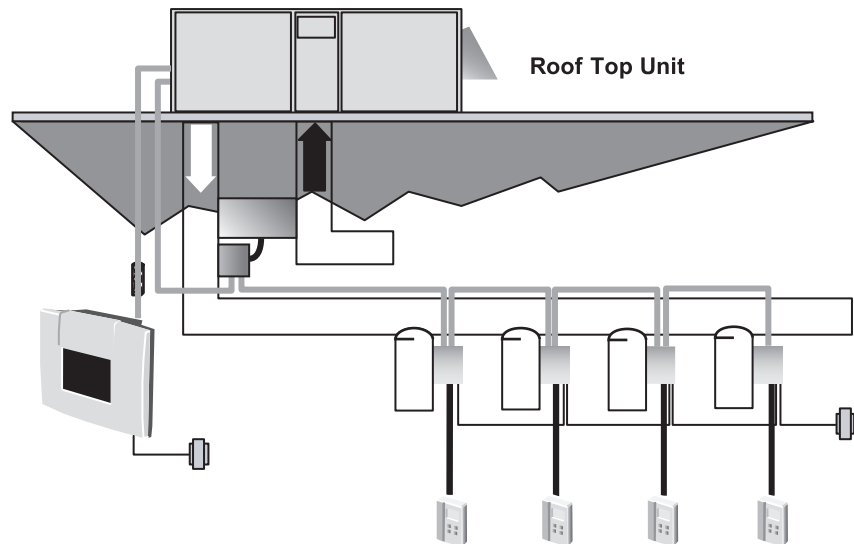
- All Precedent™ designs were rigorously rain tested at the factory to ensure water integrity.
- Actual shipping tests were performed to determine packaging requirements. Units were test shipped around the country to determine the best packaging.
- Factory shake and drop tests were used as part of the package design process to help assure that the unit arrives at the job site in top condition.
- Rigging tests include lifting a unit into the air and letting it drop one foot, assuring that the lifting lugs and rails hold up under stress.
- We perform a 100% coil leak test at the factory. The evaporator and condenser coils are leak tested at 1375 kPa (200 psig) and pressure tested to 3100 kPa (450 psig).
- All parts are inspected at the point of final assembly. Sub-standard parts are identified and rejected immediately.
- The requirement for cycle testing of heat exchangers is 10,000 cycles by ANSI Z21.47. This is the standard required by both UL and AGA for cycle test requirements. Trane requires the design to be tested to 2½ times this current standard.
- Every unit receives a 100% unit run test before leaving the production line to make sure it lives up to rigorous Trane requirements.

We test designs at our factory not on our customers!

VariTrac™

VariTrac

When Trane's changeover VAV System for light commercial applications is coupled with Precedent, it provides the latest in technological advances for comfort management systems and can allow thermostat control in every zone served by VariTrac.



Application Considerations

Application of this product should be within the cataloged airflow and cooling considerations.

Low Ambient Cooling

The Precedent™ line features, as standard, low ambient cooling down to -18°C (0°F). Contact your local Trane Representative for more assistance with low ambient cooling applications.

Barometric Relief

This product offers an optional barometric relief damper for use in conjunction with economizer option. This option consists of gravity dampers which open with increased pressure. As the building air pressure increases, the pressure in the unit return air section also increases, opening the dampers and relieving the conditioned space.

NOTE: THE EFFECTIVENESS OF BAROMETRIC RELIEF DAMPER DURING ECONOMIZING OPERATION IS SYSTEM RELATED. PRESSURE DROP OF THE RETURN AIR SYSTEM SHOULD BE CONSIDERED TO CONTROL BUILDING PRESSURIZATION.

Heating Operation

The heat exchanger is manufactured with aluminized steel. To prevent condensation within the heat exchanger, do not exceed 50% outside air.

Condensate Trap

The evaporator is a draw-thru configuration. A trap must be field provided prior to start-up on the cooling cycle.

Clearance Requirements

The recommended clearances identified with unit dimensions should be maintained to assure adequate service, maximum capacity and peak operating efficiency. Actual clearances which appear inadequate should be reviewed with the local Trane sales personnel.

Unit Pitch

These units have reversible sloped condensate drain pans. Units must be installed level; any unit slope must be toward side of unit where condensate drain is connected.

Selection Procedures - SI Units

Cooling Capacity

Step 1 — Calculate the building's total and sensible cooling loads at design conditions. Use the Trane calculation form or any other standard accepted method.

Example: The following are the building cooling requirements:

- a. Electrical Characteristics: 380-415/50/3
- b. Summer Design Conditions: Entering Evaporator Coil: 27° DB/ 19° WB
Outdoor Ambient: 35°
- c. Total Cooling Load: 16.5 kW
- d. Sensible Cooling Load: 11.8 kW
- e. Airflow: 3400 m³/h External Static Pressure: 125 Pa
- f. Downflow Configuration

Step 2 — Size the equipment using Table PD-1 to match the cooling loads at design conditions.

Table PD-1 shows that a YSC060AD has a gross cooling capacity of 17.8 kW and 14.4 kW sensible capacity at 35 DB ambient and 3400 m³/h with 27 DB/ 19 WB air entering the evaporator.

Use the following formula to calculate fan motor heat, which can be found in the notes in Table PD-8:

$$\text{Fan motor heat (kW)} = 1.144 \times (\text{Fan kW}) + 0.132$$

For example: With 3400 m³/h and 125 Pa, specified by the engineer, Table PD-8 shows 0.73 kW for a high heat model.

$$\begin{aligned} \text{Fan motor heat} &= \\ 1.144 \times 0.73 + 0.132 &= 0.97\text{kW} \\ \text{Net Total Cooling} &= \\ 17.8 \text{ kW} - 0.97 &= 16.8 \text{ kW} \\ \text{Net Sensible Cooling Capacity} &= \\ 14.4 \text{ kW} - 0.97 &= 13.4 \text{ kW}. \end{aligned}$$

Heating Capacity

Step 1 — Calculate the building heating load using the Trane calculation form or other standard accepted method.

Step 2 — Size the system heating capacity to match the calculated building heating load. The following are building heating requirements:

- a. Total heating load of 17.6 kW
- b. 3400 m³/h
- c. Fuel - Natural gas

For the YSC060AD there are two heating capacities available, 19.6 kW and 29.3 kW input models shown in Table PD-32. The output capacities of these furnaces are 15.7 kW and 23.4 kW respectively. The high heat model with 23.4 kW best matches the building requirements, indicating a YHC060AD* should be selected.

Air Delivery Selection

External static pressure drop through the air distribution system has been calculated to be 150 Pa. Enter Table PD-8 for a YSC060AD*H at 3400 m³/h and 150 Pa static pressure. The standard motor will give the desired airflow.

Accessory Selection

Select accessories needed to accommodate the application.

Selection Procedures - IP Units

Cooling Capacity

Step 1 — Calculate the building's total and sensible cooling loads at design conditions. Use the Trane calculation form or any other standard accepted method.

Example: The following are the building cooling requirements:

- a. Electrical Characteristics: 380-415/50/3
- b. Summer Design Conditions: Entering Evaporator Coil: 80° DB/ 67° WB
Outdoor Ambient: 95°
- c. Total Cooling Load: 58 MBh
- d. Sensible Cooling Load: 42 MBh
- e. Airflow: 2000 cfm External Static Pressure: .6 in wg
- f. Downflow Configuration

Step 2 — Size the equipment using Table PD-1a to match the cooling loads at design conditions.

Table PD-1a shows that a YSC060AD has a gross cooling capacity of 62.0 MBh and 46.4 MBh sensible capacity at 95 DB ambient and 2000 cfm with 80 DB/ 67 WB air entering the evaporator.

Use the following formula to calculate fan motor heat, which can be found in the notes in Table PD-8a:

$$\text{Fan motor heat (MBh)} = 2.915 \times (\text{Fan bhp}) + 0.451$$

For example: With 2000 cfm and 0.60 inches, specified by the engineer, Table PD-8a shows 1.06 bhp for a high heat model.

$$\begin{aligned} \text{Fan motor heat} &= 2.915 \times 1.06 + 0.451 = 3.5 \text{ MBh} \\ \text{Net Total Cooling} &= 62.0 \text{ MBh} - 3.5 = 58.5 \text{ MBh} \\ \text{Net Sensible Cooling Capacity} &= 46.4 \text{ MBh} - 3.5 = 42.9 \text{ MBh} \end{aligned}$$

Heating Capacity

Step 1 — Calculate the building heating load using the Trane calculation form or other standard accepted method.

Step 2 — Size the system heating capacity to match the calculated building heating load. The following are building heating requirements:

- a. Total heating load of 70.0 MBh
- b. 2000 cfm
- c. Fuel - Natural gas

For the YSC060AD there are two heating capacities available, 67 MBh and 100 MBh input models shown in Table PD-32. The output capacities of these furnaces are 54 MBh and 80 MBh respectively. The high heat model with 80 MBh best matches the building requirements, indicating a YSC060AD*H should be selected.

Air Delivery Selection

External static pressure drop through the air distribution system has been calculated to be 0.6 inches of water. Enter Table PD-8a for a YSC060AD*H at 2000 cfm and 0.60 static pressure. The standard motor will give the desired airflow.

Accessory Selection

Select accessories needed to accommodate the application.



Model Number Description

Y S C 060 A D R L A ** C 0 0 0 0 0 0 0 0 0 0 0 1
1 2 3 4,5,6 7 8 9 10 11 12,13 14 15 16 17 18 19 20 21 22 23 24 25

Digit 1 - Unit Function

Y = DX Cooling, Gas Heat

Digit 2 - Efficiency

S = Standard Efficiency

Digit 3 - Airflow

C = Convertible

Digits 4,5,6 - Nominal Gross Cooling Capacity (MBh)

	kW	Tons
060	17.6	5
072	21.1	6
090	26.4	7.5
102	29.9	8.5
120	35.1	10

Digit 7 - Major Design Sequence

A = First

Digit 8 - Unit Voltage

D = 380-415/50/3

Digit 9 - Unit Controls

R = ReliaTel™ Microprocessor

Digit 10 - Heating Capacity

L = Low

H = High

Digit 11 - Minor Design Sequence

A = First Sequence

Digits 12, 13 - Service Sequence

** = Factory Assigned

Digit 14 - Fresh Air Selection

0 = No Fresh Air

A = Manual Outside Air Damper 0-50%

B = Motorized Outside Air Damper 0-50%

C = Economizer, Dry Bulb 0-100% without Barometric Relief

D = Economizer, Dry Bulb 0-100% with Barometric Relief

E = Economizer, Reference Enthalpy 0-100% without Barometric Relief

F = Economizer, Reference Enthalpy 0-100% with Barometric Relief

G = Economizer, Comparative Enthalpy 0-100% without Barometric Relief

H = Economizer, Comparative Enthalpy 0-100% with Barometric Relief

Digit 15 - Supply Fan/Drive Type/Motor

0 = Standard Drive

1 = Oversized Motor

Digit 16 - Hinged Service AccessFilters

0 = Standard Panels/Standard Filters

A = Hinged Access Panels/Standard Filters

B = Standard Panels/50 mm (2") Pleated Filters

C = Hinged Access Panels/50 mm 2" Pleated Filters

Digit 17 - Condenser Coil Protection

0 = Standard Coil

1 = Standard Coil with Hail Guard

2 = Epoxy Coated Condenser Coil

3 = Epoxy Coated Condenser Coil with Hail Guard

Digit 18 - Through the Base Provisions

0 = No Through the Base Provisions

Digit 19 - Disconnect/Circuit Breaker/Phase Monitor (3 phase only)

0 = No Disconnect or Circuit Breaker

3 = Phase Monitor Only (No Disconnect, No Circuit Breaker)

Digit 20 - Convenience Outlet

0 = No Convenience Outlet

Digit 21 - Communications Options

0 = No Communications Interface

1 = Comm-3/4 Communications Interface

2 = Comm-5 Communications Interface

Digit 22 - Refrigeration System Option

0 = Standard Refrigeration System

Digit 23 - Refrigeration Controls

0 = No Refrigeration Control

Digit 24 - Smoke Detector

0 = No Smoke Detector

Digit 25 - Monitoring Controls

0 = No Monitoring Control

1 = Clogged Filter Switch

2 = Fan Failure Switch

3 = DischargeAir Sensing Tube

4 = Clogged Filter Switch and Fan Fail Switch

5 = Clogged Filter Switch and Discharge Air Sensing Tube

6 = Fan Fail Switch and Discharge Air Sensing Tube

7 = Clogged Filter and Fan Fail Switches and Discharge Air Sensing Tube

General Data

Table GD-1 – General Data

	Convertible Units YSC060AD		Convertible Units YSC072AD		Convertible Units YSC090AD		Convertible Units YSC102AD		Convertible Units YSC120AD	
Cooling Performance ¹										
Gross Capacity - kW (MBh)	18.2 (62.0)		23.2 (79.0)		26.7 (91.0)		31.1 (106.0)		34.9 (119.0)	
COP (EER) ²	2.99 (10.2)		3.08 (10.5)		3.02 (10.3)		3.02 (10.3)		2.99 (10.2)	
Nominal Airflow - m ³ /h (cfm)	3400 (2000)		4080 (2400)		5100 (3000)		5780 (3400)		6800 (4000)	
Rated Airflow - m ³ /h (cfm)	3400 (2000)		3570 (2100)		4460 (2625)		5100 (3000)		5950 (3500)	
Net Capacity - kW (MBh)	17.3 (59.0)		22.0 (75.0)		25.2 (86.0)		29.9 (102.0)		33.1 (113.0)	
System Power - kW	5.78		7.14		8.35		9.9		11.08	
Heating Performance ³										
Heating Models	Low - G80	High - G120	Low - G120	High G-200	Low - G120	High G-200	Low - G150	High G-250	Low - G150	High G-250
Heating Input - kW (MBH)	19.6 (67)	29.3 (100)	29.3 (100)	48.9 (167)	29.3 (100)	48.9 (167)	36.7 (125)	60.9 (208)	36.7 (125)	60.9 (208)
Heating Output - kW (MBH)	15.7 (54)	23.4 (80)	23.4 (80)	39.1 (134)	23.4 (80)	39.1 (134)	29.3 (100)	48.7 (166)	29.3 (100)	48.7 (166)
Steady State Efficiency %	90	90	90	90	90	90	90	90	90	90
No. Burners	2	3	3	4	3	4	3	5	3	5
No. Stages	1	1	1	2	1	2	2	2	2	2
Gas Connection Pipe Size - in.	3/4 NPT	3/4 NPT	3/4 NPT	3/4 NPT	3/4 NPT	3/4 NPT	3/4 NPT	3/4 NPT	3/4 NPT	3/4 NPT
Compressor										
Number - Type	1-Climatuff Scroll		1-Trane 3-D Scroll		1-Trane 3-D Scroll		2-Climatuff Scroll		2-Climatuff Scroll	
Outdoor Sound Rating dB ⁴	80		85		85		83		79	
Outdoor Coil - Type										
Tube Size in. OD	Lanced		Lanced		Lanced		Lanced		Lanced	
Face Area - m ² (sq ft)	0.3125		0.3125		0.3125		0.3125		0.3125	
Rows / FPI	1.02 (10.96)		1.29 (13.88)		1.29 (13.88)		1.75 (18.89)		2.41 (25.92)	
	3 / 17		2 / 17		2 / 17		2 / 17		2 / 17	
Indoor Coil - Type										
Tube Size OD - in.	Lanced		Lanced		Lanced		Lanced		Lanced	
Face Area - m ² (sq ft)	0.3125		0.3125		0.3125		0.3125		0.3125	
Rows / FPI	0.62 (6.68)		0.92 (9.89)		0.92 (9.89)		1.15 (12.36)		1.15 (12.36)	
Refrigerant Control	3 / 16		2 / 16		3 / 16		3 / 16		4 / 16	
Drain Connection No. / Size - in.	Short Orifice		Short Orifice		Short Orifice		Short Orifice		Short Orifice	
	1 / 0.75 NPT		1 / 0.75 NPT		1 / 0.75 NPT		1 / 0.75 NPT		1 / 0.75 NPT	
Outdoor Fan - Type										
No. Used / Diameter - in.	Propeller		Propeller		Propeller		Propeller		Propeller	
Drive Type / No. Speeds	1 / 22		1 / 26		1 / 26		1 / 26		1 / 26	
CFM	Direct / 1		Direct / 1		Direct / 1		Direct / 1		Direct / 1	
No. Motors / kW (HP)	2900		5100		5200		5500		5800	
Motor RPM	1 / 0.30 (0.40)		1 / .56 (0.75)		1 / .56 (0.75)		1 / .56 (0.75)		1 / .56 (0.75)	
	950		950		950		950		950	
Belt Drive Indoor Fan - Type										
No. Used	FC Centrifugal		FC Centrifugal		FC Centrifugal		FC Centrifugal		FC Centrifugal	
Fan Diameter x Width - mm (in.)	1		1		1		1		1	
Drive Type / No. Speeds	280 X 280 (11 x 11)		305 X 305 (12 x 12)		305 X 305 (12 x 12)		381 X 381 (15 x 15)		381 X 381 (15 x 15)	
No. Motors	Belt / Variable Speed		Belt / Variable Speed		Belt / Variable Speed		Belt / Variable Speed		Belt / Variable Speed	
Standard Motor Power - kW (HP)	1		1		1		1		1	
Oversized Motor Power - kW (HP)	1.1 (1.5)		1.1 (1.5)		1.5 (2.0)		1.5 (2.0)		2.2 (3.0)	
Motor RPM - Standard / Oversized	-		1.5 (2.0)		2.2 (3.0)		2.2 (3.0)		-	
Motor Frame Size	1450 / -		1450 / 1450		1450 / 2850		1450 / 2850		2850 / -	
	56		56		56		56		56	
Filters - Type Furnished										
(No.) Size Recommended - mm	Throwaway		Throwaway		Throwaway		Throwaway		Throwaway	
(No.) Size Recommended - in.	(2) 508 X 762 X 25		(4) 406 X 635 X 50		(4) 406 X 635 X 50		(4) 508 X 635 X 50		(4) 508 X 635 X 50	
	(2) 20 X 30 X 1		(4) 16 X 25 X 2		(4) 16 X 25 X 2		(4) 20 X 25 X 2		(4) 20 X 25 X 2	
Refrigerant Charge - kg (lbs) of R-22 ⁵										
	3.7 (8.2)		3.7 (8.2)		4.5 (10.0)		Circuit 1 - 3.8 (8.3)		Circuit 1 - 3.4 (7.5)	
							Circuit 2 - 2.0 (4.4)		Circuit 2 - 3.3 (7.3)	

Notes:

- Cooling Performance is rated at 35.0 C (95 F) ambient, 26.7 C (80 F) entering dry bulb, 19.4 C (67 F) entering wet bulb. Gross capacity does not include the effect of fan motor heat. Net capacity includes the effect of fan motor heat. Units are suitable for operation to ± 20 % of nominal airflow.
- EER are rated at ARI conditions.
- Heating Performance limit settings and rating data were established and approved under laboratory test conditions using American National Standards Institute standards. Ratings shown are for elevations up to 2000 feet. For elevations above 2000 feet, ratings should be reduced at the rate of 4% for each 1000 feet above sea level.
- Outdoor Sound rating shown is tested in accordance with ARI Standard 270. For more information refer to Performance Data Table "Sound Power Level".
- Refrigerant charge is an approximate value. For a more precise value, see unit nameplate and service literature.



Performance Data

Table PD-6 - Belt Drive Evaporator Fan Performance - YSC060AD*L - Low Heat - Downflow Configuration - (SI)

External Static Pressure (Pascals)																				
m3/h	25		50		75		100		125		150		175		200		225		250	
	RPM	kW	RPM	kW	RPM	kW	RPM	kW	RPM	kW	RPM	kW	RPM	kW	RPM	kW	RPM	kW	RPM	kW
1.12 Nom kW Standard Motor & Low Static Drive										1.12 Nom kW Std Mtr & Drive										
2720	716	0.28	768	0.32	816	0.36	863	0.39	909	0.44	953	0.50	993	0.55	1031	0.60	1067	0.65	1101	0.70
3060	791	0.38	840	0.43	884	0.47	927	0.51	969	0.56	1010	0.61	1049	0.67	1087	0.73	1122	0.79	1156	0.85
3400	867	0.51	914	0.56	955	0.61	994	0.66	1033	0.71	1070	0.76	1107	0.82	1143	0.88	1178	0.95	1212	1.02
3740	944	0.66	989	0.73	1027	0.78	1063	0.84	1099	0.89	1134	0.94	1168	0.99	1202	1.05	1235	1.12	1267	1.19
4080	1022	0.85	1064	0.92	1101	0.98	1135	1.04	1168	1.10	1200	1.16	1233	1.22	-	-	-	-	-	-

External Static Pressure (Pascals)										
m3/h	275		300		325		350		375	
	RPM	kW	RPM	kW	RPM	kW	RPM	kW	RPM	kW
1.12 Nom kW Standard Motor & Drive										
2720	1135	0.75	1166	0.80	1198	0.85	1228	0.91	1258	0.96
3060	1188	0.90	1218	0.96	1249	1.01	1279	1.07	1307	1.13
3400	1244	1.08	1273	1.14	1303	1.20	1332	1.27	-	-
3740	1300	1.27	-	-	-	-	-	-	-	-
4080	-	-	-	-	-	-	-	-	-	-

Notes:

Data Includes Pressure Drop Due To Wet Coils And Filters.
 1.12 kW - Fan Motor Heat (kW) = 1.144 x Fan kW + 0.132

Factory Supplied Motors, In Commercial Equipment, Are Definite Purpose Motors, Specifically Designed And Tested To Operate Reliably And Continuously At All Cataloged Conditions. Using The Full Horsepower Range Of Our Fan Motors As Shown In Our Tabular Data Will Not Result In Nuisance Tripping Or Premature Motor Failure. Our Product's Warranty Will Not Be Affected.

Table PD-6a - Belt Drive Evaporator Fan Performance - YSC060AD*L - Low Heat - Downflow Configuration - (IP)

External Static Pressure (Inches of Water)																				
CFM	0.10		0.20		0.30		0.40		0.50		0.60		0.70		0.80		0.90		1.00	
	RPM	BHP	RPM	BHP	RPM	BHP	RPM	BHP	RPM	BHP	RPM	BHP	RPM	BHP	RPM	BHP	RPM	BHP	RPM	BHP
1-1/2 HP Standard Motor & Low Static Drive									1-1/2 HP Std Motor & Drive											
1600	716	0.37	768	0.43	816	0.48	863	0.53	909	0.60	953	0.67	993	0.74	1031	0.81	1067	0.87	1101	0.94
1800	791	0.51	840	0.57	884	0.63	927	0.69	969	0.75	1010	0.82	1049	0.90	1087	0.99	1122	1.06	1156	1.14
2000	867	0.68	914	0.76	955	0.82	994	0.89	1033	0.95	1070	1.02	1107	1.10	1143	1.18	1178	1.27	1212	1.36
2200	944	0.89	989	0.97	1027	1.05	1063	1.12	1099	1.19	1134	1.26	1168	1.33	1202	1.41	1235	1.51	1267	1.60
2400	1022	1.14	1064	1.23	1101	1.32	1135	1.40	1168	1.48	1200	1.55	1233	1.63	-	-	-	-	-	-

External Static Pressure (Inches of Water)										
CFM	1.10		1.20		1.30		1.40		1.50	
	RPM	BHP	RPM	BHP	RPM	BHP	RPM	BHP	RPM	BHP
1-1/2 HP Standard Motor & Drive										
1600	1135	1.01	1166	1.07	1198	1.14	1228	1.22	1258	1.29
1800	1188	1.21	1218	1.28	1249	1.36	1279	1.44	1307	1.51
2000	1244	1.45	1273	1.53	1303	1.61	1332	1.70	-	-
2200	1300	1.70	-	-	-	-	-	-	-	-
2400	-	-	-	-	-	-	-	-	-	-

Notes:

Data Includes Pressure Drop Due To Wet Coils And Filters.
 1 1/2 HP - Fan Motor Heat (MBH) = 2.915 x Fan BHP + 0.451

Factory Supplied Motors, In Commercial Equipment, Are Definite Purpose Motors, Specifically Designed And Tested To Operate Reliably And Continuously At All Cataloged Conditions. Using The Full Horsepower Range Of Our Fan Motors As Shown In Our Tabular Data Will Not Result In Nuisance Tripping Or Premature Motor Failure. Our Product's Warranty Will Not Be Affected.



Performance Data

Table PD-7 - Belt Drive Evaporator Fan Performance - YSC060AD*L - Horizontal Configuration (SI)

m3/h	External Static Pressure (Pascals)																			
	25		50		75		100		125		150		175		200		225		250	
RPM	kW	RPM	kW	RPM	kW	RPM	kW	RPM	kW	RPM	kW	RPM	kW	RPM	kW	RPM	kW	RPM	kW	
1.12 Nom kW Std Motor & Low Static Drive										1.12 Nom kW Standard Motor & Drive										
2720	788	0.33	850	0.38	911	0.44	964	0.49	1011	0.55	1055	0.61	1097	0.66	1137	0.72	1176	0.78	1213	0.84
3060	871	0.45	927	0.51	983	0.57	1035	0.64	1082	0.70	1124	0.76	1164	0.83	1201	0.89	1239	0.95	1275	1.02
3400	956	0.60	1006	0.67	1057	0.74	1106	0.81	1153	0.88	1195	0.95	1233	1.02	1270	1.09	1305	1.16	1339	1.23
3740	1042	0.78	1088	0.85	1133	0.93	1179	1.01	1224	1.09	1266	1.16	1305	1.24	1340	1.32	-	-	-	-
4080	1129	1.00	1171	1.08	1213	1.16	1255	1.25	1296	1.33	-	-	-	-	-	-	-	-	-	-

m3/h	External Static Pressure (Pascals)									
	275		300		325		350		375	
RPM	kW	RPM	kW	RPM	kW	RPM	kW	RPM	kW	
1.12 Nom kW Standard Motor & Drive										
2720	1248	0.91	1282	0.97	1314	1.04	1344	1.11	1374	1.18
3060	1310	1.09	1344	1.16	-	-	-	-	-	-
3400	1373	1.30	-	-	-	-	-	-	-	-
3740	-	-	-	-	-	-	-	-	-	-
4080	-	-	-	-	-	-	-	-	-	-

Notes:
Data Includes Pressure Drop Due To Wet Coils And Filters.
1.12 kW - Fan Motor Heat (kW) = 1.144 x Fan kW + 0.132

Factory Supplied Motors, In Commercial Equipment, Are Definite Purpose Motors, Specifically Designed And Tested To Operate Reliably And Continuously At All Cataloged Conditions. Using The Full Horsepower Range Of Our Fan Motors As Shown In Our Tabular Data Will Not Result In Nuisance Tripping Or Premature Motor Failure. Our Product's Warranty Will Not Be Affected.

Table PD-7a - Belt Drive Evaporator Fan Performance - YSC060AD*L - Horizontal Configuration - (IP)

CFM	External Static Pressure (Inches of Water)																			
	0.10		0.20		0.30		0.40		0.50		0.60		0.70		0.80		0.90		1.00	
RPM	BHP	RPM	BHP	RPM	BHP	RPM	BHP	RPM	BHP	RPM	BHP	RPM	BHP	RPM	BHP	RPM	BHP	RPM	BHP	
1-1/2 HP Standard Motor & Low Static Drive										1-1/2 HP Standard Motor & Drive										
1600	788	0.44	850	0.51	911	0.59	964	0.66	1011	0.74	1055	0.81	1097	0.89	1137	0.97	1176	1.05	1213	1.13
1800	871	0.60	927	0.68	983	0.77	1035	0.85	1082	0.94	1124	1.02	1164	1.11	1201	1.19	1239	1.28	1275	1.37
2000	956	0.80	1006	0.89	1057	0.99	1106	1.08	1153	1.18	1195	1.27	1233	1.36	1270	1.46	1305	1.55	1339	1.65
2200	1042	1.05	1088	1.15	1133	1.25	1179	1.35	1224	1.46	1266	1.56	1305	1.66	1340	1.77	1375	-	-	-
2400	1129	1.34	1171	1.45	1213	1.56	1255	1.67	1296	1.78	-	-	-	-	-	-	-	-	-	-

CFM	External Static Pressure (Inches of Water)									
	1.10		1.20		1.30		1.40		1.50	
RPM	BHP	RPM	BHP	RPM	BHP	RPM	BHP	RPM	BHP	
1-1/2 HP Standard Motor & Drive										
1600	1248	1.21	1282	1.30	1314	1.39	1344	1.48	1374	1.58
1800	1310	1.46	1344	1.55	-	-	-	-	-	-
2000	1373	1.75	-	-	-	-	-	-	-	-
2200	-	-	-	-	-	-	-	-	-	-
2400	-	-	-	-	-	-	-	-	-	-

Notes:
Data Includes Pressure Drop Due To Wet Coils And Filters.
1 1/2 HP - Fan Motor Heat (MBH) = 2.915 x Fan BHP + 0.451

Factory Supplied Motors, In Commercial Equipment, Are Definite Purpose Motors, Specifically Designed And Tested To Operate Reliably And Continuously At All Cataloged Conditions. Using The Full Horsepower Range Of Our Fan Motors As Shown In Our Tabular Data Will Not Result In Nuisance Tripping Or Premature Motor Failure. Our Product's Warranty Will Not Be Affected.



Performance Data

Table PD-8 - Belt Drive Evaporator Fan Performance - YSC060AD*H - High Heat - Downflow Configuration - (SI)

m3/h	External Static Pressure (Pascals)																			
	25		50		75		100		125		150		175		200		225		250	
	RPM	kW	RPM	kW	RPM	kW	RPM	kW	RPM	kW	RPM	kW	RPM	kW	RPM	kW	RPM	kW	RPM	kW
1.12 Nom kW Standard Motor & Low Static Drive											1.12 Nom kW Std Mtr & Drive									
2720	734	0.29	784	0.33	833	0.37	879	0.41	924	0.46	967	0.52	1007	0.57	1043	0.62	1078	0.67	1113	0.72
3060	813	0.40	859	0.45	903	0.49	945	0.53	987	0.58	1027	0.64	1066	0.70	1103	0.76	1137	0.82	1169	0.87
3400	894	0.54	936	0.59	976	0.64	1014	0.69	1052	0.73	1089	0.79	1126	0.85	1162	0.92	1196	0.98	1229	1.05
3740	974	0.70	1014	0.76	1051	0.82	1087	0.87	1122	0.92	1156	0.98	1190	1.03	1224	1.10	1257	1.17	1288	1.24
4080	1055	0.90	1093	0.97	1127	1.03	1160	1.09	1193	1.15	1225	1.20	1256	1.26	1288	1.32	-	-	-	-

m3/h	External Static Pressure (Pascals)									
	275		300		325		350		375	
	RPM	kW	RPM	kW	RPM	kW	RPM	kW	RPM	kW
1.12 Nom kW Standard Motor & Drive										
2720	1145	0.77	1177	0.82	1208	0.87	1238	0.93	1268	0.98
3060	1202	0.93	1232	0.98	1262	1.04	1290	1.09	1319	1.15
3400	1260	1.11	1289	1.17	1319	1.24	1347	1.30	-	-
3740	1320	1.32	-	-	-	-	-	-	-	-
4080	-	-	-	-	-	-	-	-	-	-

Notes:

Data Includes Pressure Drop Due To Wet Coils And Filters.
 1.12 kW - Fan Motor Heat (kW) = 1.144 x Fan kW + 0.132

Factory Supplied Motors, In Commercial Equipment, Are Definite Purpose Motors, Specifically Designed And Tested To Operate Reliably And Continuously At All Cataloged Conditions. Using The Full Horsepower Range Of Our Fan Motors As Shown In Our Tabular Data Will Not Result In Nuisance Tripping Or Premature Motor Failure. Our Product's Warranty Will Not Be Affected.

Table PD-8a - Belt Drive Evaporator Fan Performance - YSC060AD*H - High Heat - Downflow Configuration - (IP)

CFM	External Static Pressure (Inches of Water)																			
	0.10		0.20		0.30		0.40		0.50		0.60		0.70		0.80		0.90		1.00	
	RPM	BHP	RPM	BHP	RPM	BHP	RPM	BHP	RPM	BHP	RPM	BHP	RPM	BHP	RPM	BHP	RPM	BHP	RPM	BHP
1-1/2 HP Standard Motor & Low Static Drive											1-1/2 HP Std Motor & Drive									
1600	734	0.39	784	0.44	833	0.49	879	0.55	924	0.62	967	0.69	1007	0.76	1043	0.83	1078	0.89	1113	0.96
1800	813	0.54	859	0.60	903	0.66	945	0.72	987	0.78	1027	0.86	1066	0.94	1103	1.02	1137	1.09	1169	1.17
2000	894	0.72	936	0.79	976	0.86	1014	0.92	1052	0.98	1089	1.06	1126	1.14	1162	1.23	1196	1.32	1229	1.41
2200	974	0.94	1014	1.02	1051	1.10	1087	1.17	1122	1.24	1156	1.31	1190	1.38	1224	1.47	1257	1.57	1288	1.67
2400	1055	1.21	1093	1.30	1127	1.38	1160	1.46	1193	1.54	1225	1.61	1256	1.69	1288	1.77	-	-	-	-

CFM	External Static Pressure (Inches of Water)									
	1.10		1.20		1.30		1.40		1.50	
	RPM	BHP	RPM	BHP	RPM	BHP	RPM	BHP	RPM	BHP
1-1/2 HP Standard Motor & Drive										
1600	1145	1.03	1177	1.10	1208	1.17	1238	1.24	1268	1.31
1800	1202	1.24	1232	1.32	1262	1.39	1290	1.47	1319	1.55
2000	1260	1.49	1289	1.57	1319	1.66	1347	1.74	-	-
2200	1320	1.77	-	-	-	-	-	-	-	-
2400	-	-	-	-	-	-	-	-	-	-

Notes:

Data Includes Pressure Drop Due To Wet Coils And Filters.
 1 1/2 HP - Fan Motor Heat (MBH) = 2.915 x Fan BHP + 0.451

Factory Supplied Motors, In Commercial Equipment, Are Definite Purpose Motors, Specifically Designed And Tested To Operate Reliably And Continuously At All Cataloged Conditions. Using The Full Horsepower Range Of Our Fan Motors As Shown In Our Tabular Data Will Not Result In Nuisance Tripping Or Premature Motor Failure. Our Product's Warranty Will Not Be Affected.



Performance Data

Table PD-9 - Belt Drive Evaporator Fan Performance - YSC060AD*H - High Heat - Horizontal Configuration (SI)

m3/h	External Static Pressure (Pascals)																			
	25		50		75		100		125		150		175		200		225		250	
RPM	kW	RPM	kW	RPM	kW	RPM	kW	RPM	kW	RPM	kW	RPM	kW	RPM	kW	RPM	kW	RPM	kW	
1.12 Nom kW Std Motor & Low Static Drive										1.12 Nom kW Standard Motor & Drive										
2720	809	0.34	871	0.40	930	0.46	980	0.51	1026	0.57	1069	0.63	1111	0.68	1151	0.74	1189	0.80	1225	0.87
3060	895	0.47	951	0.54	1006	0.60	1056	0.66	1100	0.73	1141	0.79	1180	0.85	1218	0.92	1255	0.98	1290	1.05
3400	983	0.63	1033	0.70	1083	0.77	1131	0.84	1176	0.91	1216	0.98	1253	1.05	1289	1.13	1323	1.20	1357	1.27
3740	1072	0.83	1117	0.90	1163	0.98	1209	1.06	1251	1.14	1292	1.21	1329	1.29	-	-	-	-	-	-
4080	1161	1.06	1203	1.14	1245	1.23	1287	1.31	-	-	-	-	-	-	-	-	-	-	-	-

m3/h	External Static Pressure (Pascals)									
	275		300		325		350		375	
RPM	kW	RPM	kW	RPM	kW	RPM	kW	RPM	kW	
1.12 Nom kW Standard Motor & Drive										
2720	1260	0.93	1293	0.99	1324	1.06	1355	1.13	1383	1.20
3060	1324	1.12	1357	1.19	1390	1.26	-	-	-	-
3400	-	-	-	-	-	-	-	-	-	-
3740	-	-	-	-	-	-	-	-	-	-
4080	-	-	-	-	-	-	-	-	-	-

Notes:
Data Includes Pressure Drop Due To Wet Coils And Filters.
1.12 kW - Fan Motor Heat (kW) = 1.144 x Fan kW + 0.132

Factory Supplied Motors, In Commercial Equipment, Are Definite Purpose Motors, Specifically Designed And Tested To Operate Reliably And Continuously At All Cataloged Conditions. Using The Full Horsepower Range Of Our Fan Motors As Shown In Our Tabular Data Will Not Result In Nuisance Tripping Or Premature Motor Failure. Our Product's Warranty Will Not Be Affected.

Table PD-9a - Belt Drive Evaporator Fan Performance - YSC060AD*H - High Heat - Horizontal Configuration - (IP)

CFM	External Static Pressure (Inches of Water)																			
	0.10		0.20		0.30		0.40		0.50		0.60		0.70		0.80		0.90		1.00	
RPM	BHP	RPM	BHP	RPM	BHP	RPM	BHP	RPM	BHP	RPM	BHP	RPM	BHP	RPM	BHP	RPM	BHP	RPM	BHP	
1-1/2 HP Standard Motor & Low Static Drive								1-1/2 HP Standard Motor & Drive												
1600	809	0.46	871	0.54	930	0.61	980	0.69	1026	0.76	1069	0.84	1111	0.92	1151	1.00	1189	1.08	1225	1.16
1800	895	0.64	951	0.72	1006	0.81	1056	0.89	1100	0.97	1141	1.06	1180	1.14	1218	1.23	1255	1.32	1290	1.41
2000	983	0.85	1033	0.94	1083	1.04	1131	1.13	1176	1.23	1216	1.32	1253	1.41	1289	1.51	1323	1.60	1357	1.70
2200	1072	1.11	1117	1.21	1163	1.32	1209	1.42	1251	1.52	1292	1.63	1329	1.73	-	-	-	-	-	-
2400	1161	1.42	1203	1.53	1245	1.64	1287	1.76	-	-	-	-	-	-	-	-	-	-	-	-

CFM	External Static Pressure (Inches of Water)									
	1.10		1.20		1.30		1.40		1.50	
RPM	BHP	RPM	BHP	RPM	BHP	RPM	BHP	RPM	BHP	
1-1/2 HP Standard Motor & Drive										
1600	1260	1.24	1293	1.33	1324	1.42	1355	1.52	1383	1.60
1800	1324	1.50	1357	1.59	1390	1.69	-	-	-	-
2000	-	-	-	-	-	-	-	-	-	-
2200	-	-	-	-	-	-	-	-	-	-
2400	-	-	-	-	-	-	-	-	-	-

Notes:
Data Includes Pressure Drop Due To Wet Coils And Filters.
1 1/2 HP - Fan Motor Heat (MBH) = 2.915 x Fan BHP + 0.451

Factory Supplied Motors, In Commercial Equipment, Are Definite Purpose Motors, Specifically Designed And Tested To Operate Reliably And Continuously At All Cataloged Conditions. Using The Full Horsepower Range Of Our Fan Motors As Shown In Our Tabular Data Will Not Result In Nuisance Tripping Or Premature Motor Failure. Our Product's Warranty Will Not Be Affected.

Performance Data

Table PD-10 - Belt Drive Evaporator Fan Performance - YSC072AD*L - Low Heat - Downflow Configuration - (SI)

m³/h	External Static Pressure (Pascals)																			
	25		50		75		100		125		150		175		200		225		250	
	RPM	kW	RPM	kW	RPM	kW	RPM	kW	RPM	kW	RPM	kW	RPM	kW	RPM	kW	RPM	kW	RPM	kW
	1.12 Nom kW Standard Motor & Low Static Drive									1.12 Nom kW Standard Motor & Drive										
3260	-	-	532	0.22	592	0.27	646	0.32	695	0.37	740	0.43	783	0.48	824	0.54	864	0.61	901	0.67
3670	-	-	570	0.28	624	0.33	677	0.39	725	0.45	768	0.51	809	0.57	848	0.63	886	0.70	923	0.77
4080	556	0.30	610	0.36	659	0.41	707	0.48	755	0.55	798	0.61	838	0.67	876	0.74	912	0.81	947	0.88
4490	601	0.39	652	0.45	698	0.51	741	0.58	786	0.65	828	0.72	868	0.79	905	0.86	939	0.93	973	1.01
4890	646	0.49	694	0.57	737	0.62	778	0.69	818	0.77	859	0.85	898	0.93	936	1.00	970	1.08	1003	1.16

1.12 Nom kW Standard Motor & Hi Static Drive

CFM	External Static Pressure (Pascals)									
	275		300		325		350		375	
	RPM	kW	RPM	kW	RPM	kW	RPM	kW	RPM	kW
	1.12 Nom kW Std Motor & Drive				1.12 Nom kW Standard Motor & Hi Static Drive					
3260	937	0.73	970	0.79	1004	0.85	1036	0.91	1067	0.97
3670	957	0.83	992	0.90	1024	0.97	1057	1.04	1086	1.11
4080	981	0.95	1014	1.02	1046	1.10	1077	1.18	1108	1.25
4490	1007	1.08	1038	1.16	1070	1.24	1100	1.32	1130	1.40
4890	1034	1.24	1066	1.32	1095	1.40	1124	1.48	1154	1.57
	1.50 Nom kW Over-Sized Motor & High Static Drive									

Notes:
 Data Includes Pressure Drop Due To Wet Coils And Filters.
 1.12 kW - Fan Motor Heat (kW) = 1.144 x Fan kW + 0.132
 1.50 kW - Fan Motor Heat (kW) = 1.178 x Fan kW + 0.464

Factory Supplied Motors, In Commercial Equipment, Are Definite Purpose Motors, Specifically Designed And Tested To Operate Reliably And Continuously At All Cataloged Conditions. Using The Full Horsepower Range Of Our Fan Motors As Shown In Our Tabular Data Will Not Result In Nuisance Tripping Or Premature Motor Failure. Our Product's Warranty Will Not Be Affected.

Table PD-10a - Belt Drive Evaporator Fan Performance - YSC072AD*L - Low Heat - Downflow Configuration - (IP)

CFM	External Static Pressure (Inches of Water)																			
	.10		.20		.30		.40		.50		.60		.70		.80		.90		1.00	
	RPM	BHP	RPM	BHP	RPM	BHP	RPM	BHP	RPM	BHP	RPM	BHP	RPM	BHP	RPM	BHP	RPM	BHP	RPM	BHP
	1-1/2 HP Standard Motor & Low Static Drive									1-1/2 HP Standard Motor & Drive										
1920	-	-	532	0.29	592	0.36	646	0.43	695	0.50	740	0.57	783	0.65	824	0.73	864	0.81	901	0.89
2160	-	-	570	0.37	624	0.45	677	0.53	725	0.61	768	0.68	809	0.76	848	0.85	886	0.94	923	1.03
2400	556	0.41	610	0.48	659	0.56	707	0.64	755	0.73	798	0.82	838	0.90	876	0.99	912	1.08	947	1.18
2640	601	0.52	652	0.61	698	0.69	741	0.77	786	0.87	828	0.97	868	1.06	905	1.16	939	1.25	973	1.35
2880	646	0.66	694	0.76	737	0.84	778	0.93	818	1.03	859	1.13	898	1.24	936	1.35	970	1.45	1003	1.55

1-1/2 HP Standard Motor & Hi Static Drive

CFM	External Static Pressure (Inches of Water)									
	1.10		1.20		1.30		1.40		1.50	
	RPM	BHP	RPM	BHP	RPM	BHP	RPM	BHP	RPM	BHP
	1-1/2 HP Std Mtr & Drive				1-1/2 HP Standard Motor & Hi Static Drive					
1920	937	0.98	970	1.05	1004	1.13	1036	1.22	1067	1.30
2160	957	1.12	992	1.21	1024	1.30	1057	1.40	1086	1.48
2400	981	1.27	1014	1.37	1046	1.48	1077	1.58	1108	1.68
2640	1007	1.45	1038	1.56	1070	1.66	1100	1.77	1130	1.88
2880	1034	1.66	1066	1.77	1095	1.87	1124	1.99	1154	2.11
	2 HP Over-Sized Motor & Hi Static Drive									

Notes:
 Data Includes Pressure Drop Due To Wet Coils And Filters.
 1 1/2 HP - Fan Motor Heat (MBH) = 2.915 x Fan BHP + 0.451
 2 HP - Fan Motor Heat (MBH) = 3.000 x Fan BHP + 0.500

Factory Supplied Motors, In Commercial Equipment, Are Definite Purpose Motors, Specifically Designed And Tested To Operate Reliably And Continuously At All Cataloged Conditions. Using The Full Horsepower Range Of Our Fan Motors As Shown In Our Tabular Data Will Not Result In Nuisance Tripping Or Premature Motor Failure. Our Product's Warranty Will Not Be Affected.



Performance Data

Table PD-11 - Belt Drive Evaporator Fan Performance - YSC072AD*L - Horizontal Configuration (SI)

m³/h	External Static Pressure (Pascals)																			
	25		50		75		100		125		150		175		200		225		250	
	RPM	kW	RPM	kW	RPM	kW	RPM	kW	RPM	kW	RPM	kW	RPM	kW	RPM	kW	RPM	kW	RPM	kW
1.12 Nom kW Std Mtr & Low Static Drive						1.12 Nom kW Standard Motor & Drive														
3260	-	-	586	0.25	645	0.31	695	0.35	741	0.41	785	0.47	828	0.53	870	0.59	913	0.66	952	0.72
3670	584	0.28	629	0.33	685	0.38	735	0.45	779	0.50	820	0.56	860	0.63	898	0.70	937	0.77	976	0.84
4080	640	0.38	679	0.43	726	0.48	775	0.55	819	0.62	858	0.68	896	0.74	932	0.81	967	0.89	1002	0.97
4490	696	0.49	732	0.54	770	0.60	816	0.66	860	0.74	899	0.82	935	0.88	970	0.95	1004	1.03	1036	1.11
4890	752	0.62	786	0.68	818	0.74	858	0.81	900	0.88	940	0.97	977	1.05	1010	1.13	1042	1.20	1072	1.27
1.12 Nom kW Standard Motor & Drive												1.12 Nom kW Standard Motor & Hi Static Drive								

CFM	External Static Pressure (Pascals)									
	275		300		325		350		375	
	RPM	kW	RPM	kW	RPM	kW	RPM	kW	RPM	kW
1.12 Nom kW Standard Motor & Hi Static Drive										
3260	990	0.78	1027	0.85	1063	0.92	1096	0.99	1129	1.06
3670	1012	0.90	1048	0.98	1082	1.05	1117	1.12	1149	1.20
4080	1038	1.04	1072	1.12	1106	1.20	1139	1.27	1169	1.35
4490	1067	1.19	1100	1.28	1132	1.36	1164	1.45	1194	1.53
4890	1103	1.36	1134	1.45	1163	1.54	1191	1.63	1221	1.72
1.50 Nom kW Over-Sized Motor & Hi Static Drive										

Notes:

Data Includes Pressure Drop Due To Wet Coils And Filters.
 1.12 kW - Fan Motor Heat (kW) = 1.144 x Fan kW + 0.132
 1.50 kW - Fan Motor Heat (kW) = 1.178 x Fan kW + 0.464

Factory Supplied Motors, In Commercial Equipment, Are Definite Purpose Motors, Specifically Designed And Tested To Operate Reliably And Continuously At All Cataloged Conditions. Using The Full Horsepower Range Of Our Fan Motors As Shown In Our Tabular Data Will Not Result In Nuisance Tripping Or Premature Motor Failure. Our Product's Warranty Will Not Be Affected.

Table PD-11a - Belt Drive Evaporator Fan Performance - YSC072AD*L - Horizontal Configuration - (IP)

CFM	External Static Pressure (Inches of Water)																			
	.10		.20		.30		.40		.50		.60		.70		.80		.90		1.00	
	RPM	BHP	RPM	BHP	RPM	BHP	RPM	BHP	RPM	BHP	RPM	BHP	RPM	BHP	RPM	BHP	RPM	BHP	RPM	BHP
1-1/2 HP Standard Motor & Low Static Drive						1-1/2 HP Standard Motor & Drive														
1920	-	-	586	0.33	645	0.41	695	0.48	741	0.55	785	0.63	828	0.71	870	0.79	913	0.88	952	0.96
2160	584	0.38	629	0.44	685	0.52	735	0.60	779	0.67	820	0.75	860	0.84	898	0.94	937	1.03	976	1.12
2400	640	0.50	679	0.57	726	0.64	775	0.74	819	0.83	858	0.91	896	0.99	932	1.09	967	1.19	1002	1.29
2640	696	0.65	732	0.73	770	0.80	816	0.89	860	1.00	899	1.10	935	1.19	970	1.28	1004	1.38	1036	1.49
2880	752	0.83	786	0.92	818	0.99	858	1.08	900	1.18	940	1.30	977	1.41	1010	1.51	1042	1.60	1072	1.70
1-1/2 HP Standard Motor & Drive												1-1/2 HP Std Motor & Hi Static Drive								

CFM	External Static Pressure (Inches of Water)									
	1.10		1.20		1.30		1.40		1.50	
	RPM	BHP	RPM	BHP	RPM	BHP	RPM	BHP	RPM	BHP
1-1/2 HP Standard Motor & Hi Static Drive										
1920	990	1.05	1027	1.14	1063	1.24	1096	1.33	1129	1.42
2160	1012	1.21	1048	1.31	1082	1.40	1117	1.50	1149	1.61
2400	1038	1.40	1072	1.50	1106	1.60	1139	1.71	1169	1.81
2640	1067	1.60	1100	1.71	1132	1.83	1164	1.94	1194	2.05
2880	1103	1.82	1134	1.94	1163	2.07	1191	2.19	1221	2.31
2 HP Over-Sized Motor & Hi Static Drive										

Notes:

Data Includes Pressure Drop Due To Wet Coils And Filters.
 1 1/2 HP - Fan Motor Heat (MBH) = 2.915 x Fan BHP + 0.451
 2 HP - Fan Motor Heat (MBH) = 3.000 x Fan BHP + 0.500

Factory Supplied Motors, In Commercial Equipment, Are Definite Purpose Motors, Specifically Designed And Tested To Operate Reliably And Continuously At All Cataloged Conditions. Using The Full Horsepower Range Of Our Fan Motors As Shown In Our Tabular Data Will Not Result In Nuisance Tripping Or Premature Motor Failure. Our Product's Warranty Will Not Be Affected.



Performance Data

Table PD-12 - Belt Drive Evaporator Fan Performance - YSC072AD*H - High Heat - Downflow Configuration - (SI)

m³/h	External Static Pressure (Pascals)																			
	25		50		75		100		125		150		175		200		225		250	
	RPM	kW	RPM	kW	RPM	kW	RPM	kW	RPM	kW	RPM	kW	RPM	kW	RPM	kW	RPM	kW	RPM	kW
	1.12 Nom kW Standard Motor & Low Static Drive									1.12 Nom kW Standard Motor & Drive										
3260	-	-	586	0.26	641	0.31	690	0.37	735	0.42	779	0.48	820	0.54	859	0.60	896	0.66	932	0.72
3670	577	0.29	631	0.34	684	0.40	731	0.46	773	0.52	814	0.58	854	0.64	891	0.71	928	0.78	963	0.84
4080	630	0.38	678	0.44	727	0.50	773	0.57	814	0.64	853	0.70	890	0.77	926	0.84	961	0.91	994	0.98
4490	684	0.49	728	0.56	772	0.63	815	0.70	857	0.77	894	0.84	929	0.91	963	0.98	996	1.06	1028	1.14
4890	738	0.63	779	0.69	818	0.77	860	0.85	899	0.93	936	1.01	970	1.08	1003	1.16	1035	1.24	1066	1.32

1.50 Nom kW Over-Sized Motor & High Static Drive

CFM	External Static Pressure (Pascals)									
	275		300		325		350		375	
	RPM	kW	RPM	kW	RPM	kW	RPM	kW	RPM	kW
	1.12 Nom kW Std Motor & Drive					1.12 Nom kW Std Mtr & Hi Static Drive				
3260	968	0.78	1000	0.84	1033	0.90	1063	0.96	1094	1.03
3670	996	0.91	1028	0.98	1061	1.05	1091	1.12	1121	1.18
4080	1027	1.05	1058	1.13	1090	1.21	1118	1.28	1149	1.36
4490	1060	1.22	1090	1.29	1120	1.38	1150	1.46	1178	1.54
4890	1096	1.40	1125	1.48	1155	1.57	1181	1.66	1210	1.75

1.50 Nom kW Over-Sized Motor & High Static Drive

Notes:

Data Includes Pressure Drop Due To Wet Coils And Filters.
 1.12 kW - Fan Motor Heat (kW) = 1.144 x Fan kW + 0.132
 1.50 kW - Fan Motor Heat (kW) = 1.178 x Fan kW + 0.464

Factory Supplied Motors, In Commercial Equipment, Are Definite Purpose Motors, Specifically Designed And Tested To Operate Reliably And Continuously At All Cataloged Conditions. Using The Full Horsepower Range Of Our Fan Motors As Shown In Our Tabular Data Will Not Result In Nuisance Tripping Or Premature Motor Failure. Our Product's Warranty Will Not Be Affected.

Table PD-12a - Belt Drive Evaporator Fan Performance - YSC072AD*H - High Heat - Downflow Configuration - (IP)

CFM	External Static Pressure (Inches of Water)																			
	.10		.20		.30		.40		.50		.60		.70		.80		.90		1.00	
	RPM	BHP	RPM	BHP	RPM	BHP	RPM	BHP	RPM	BHP	RPM	BHP	RPM	BHP	RPM	BHP	RPM	BHP	RPM	BHP
	1-1/2 HP Standard Motor & Low Static Drive									1-1/2 HP Standard Motor & Drive										
1920	-	-	586	0.35	641	0.42	690	0.49	735	0.56	779	0.64	820	0.72	859	0.80	896	0.88	932	0.96
2160	577	0.38	631	0.46	684	0.54	731	0.62	773	0.69	814	0.78	854	0.86	891	0.95	928	1.04	963	1.13
2400	630	0.51	678	0.59	727	0.68	773	0.77	814	0.85	853	0.94	890	1.03	926	1.12	961	1.22	994	1.31
2640	684	0.66	728	0.75	772	0.84	815	0.94	857	1.04	894	1.13	929	1.22	963	1.32	996	1.42	1028	1.52
2880	738	0.84	779	0.93	818	1.03	860	1.14	899	1.24	936	1.35	970	1.45	1003	1.56	1035	1.66	1066	1.77

2 HP Over-Sized Motor & Hi Static Drive

CFM	External Static Pressure (Inches of Water)									
	1.10		1.20		1.30		1.40		1.50	
	RPM	BHP	RPM	BHP	RPM	BHP	RPM	BHP	RPM	BHP
	1-1/2 HP Std Mtr & Drive					1-1/2 HP Std Motor & Hi Static Drive				
1920	968	1.05	1000	1.13	1033	1.21	1063	1.29	1094	1.38
2160	996	1.22	1028	1.31	1061	1.41	1091	1.50	1121	1.59
2400	1027	1.41	1058	1.51	1090	1.62	1118	1.72	1149	1.82
2640	1060	1.63	1090	1.74	1120	1.85	1150	1.96	1178	2.07
2880	1096	1.88	1125	1.99	1155	2.11	1181	2.22	1210	2.34

2 HP Over-Sized Motor & Hi Static Drive

Notes:

Data Includes Pressure Drop Due To Wet Coils And Filters.
 1 1/2 HP - Fan Motor Heat (MBH) = 2.915 x Fan BHP + 0.451
 2 HP - Fan Motor Heat (MBH) = 3.000 x Fan BHP + 0.500

Factory Supplied Motors, In Commercial Equipment, Are Definite Purpose Motors, Specifically Designed And Tested To Operate Reliably And Continuously At All Cataloged Conditions. Using The Full Horsepower Range Of Our Fan Motors As Shown In Our Tabular Data Will Not Result In Nuisance Tripping Or Premature Motor Failure. Our Product's Warranty Will Not Be Affected.



Performance Data

Table PD-13 - Belt Drive Evaporator Fan Performance - YSC072AD*H - High Heat - Horizontal Configuration (SI)

m³/h	External Static Pressure (Pascals)																			
	25		50		75		100		125		150		175		200		225		250	
	RPM	kW	RPM	kW	RPM	kW	RPM	kW	RPM	kW	RPM	kW	RPM	kW	RPM	kW	RPM	kW	RPM	kW
3260	579	0.24	639	0.30	690	0.35	736	0.40	780	0.46	824	0.52	866	0.59	907	0.65	947	0.71	986	0.78
3670	636	0.33	692	0.39	741	0.46	784	0.51	826	0.57	865	0.64	903	0.71	943	0.78	979	0.84	1017	0.91
4080	696	0.45	746	0.51	794	0.58	836	0.64	874	0.70	911	0.77	947	0.84	982	0.92	1017	1.00	1051	1.07
4490	757	0.58	802	0.64	847	0.72	888	0.80	924	0.86	959	0.93	993	1.00	1026	1.08	1058	1.17	1089	1.25
4890	818	0.74	858	0.81	900	0.88	940	0.97	977	1.05	1010	1.13	1042	1.20	1073	1.27	1104	1.36	1133	1.45

CFM	External Static Pressure (Pascals)									
	275		300		325		350		375	
	RPM	kW	RPM	kW	RPM	kW	RPM	kW	RPM	kW
3260	1023	0.84	1059	0.92	1093	0.98	1126	1.06	1156	1.12
3670	1053	0.98	1087	1.06	1121	1.13	1153	1.21	1185	1.29
4080	1085	1.15	1119	1.23	1151	1.30	1182	1.38	1214	1.47
4490	1122	1.34	1153	1.42	1184	1.50	1215	1.59	-	-
4890	1163	1.54	1192	1.64	1221	1.72	-	-	-	-

Notes:
 Data Includes Pressure Drop Due To Wet Coils And Filters.
 1.12 kW - Fan Motor Heat (kW) = 1.144 x Fan kW + 0.132
 1.50 kW - Fan Motor Heat (kW) = 1.178 x Fan kW + 0.464

Factory Supplied Motors, In Commercial Equipment, Are Definite Purpose Motors, Specifically Designed And Tested To Operate Reliably And Continuously At All Cataloged Conditions. Using The Full Horsepower Range Of Our Fan Motors As Shown In Our Tabular Data Will Not Result In Nuisance Tripping Or Premature Motor Failure. Our Product's Warranty Will Not Be Affected.

Table PD-13a - Belt Drive Evaporator Fan Performance - YSC072AD*H - High Heat - Horizontal Configuration - (IP)

CFM	External Static Pressure (Inches of Water)																			
	.10		.20		.30		.40		.50		.60		.70		.80		.90		1.00	
	RPM	BHP	RPM	BHP	RPM	BHP	RPM	BHP	RPM	BHP	RPM	BHP	RPM	BHP	RPM	BHP	RPM	BHP	RPM	BHP
1920	579	0.33	639	0.40	690	0.47	736	0.54	780	0.62	824	0.70	866	0.79	907	0.87	947	0.95	986	1.04
2160	636	0.45	692	0.53	741	0.61	784	0.68	826	0.76	865	0.85	903	0.95	943	1.04	979	1.13	1017	1.23
2400	696	0.60	746	0.68	794	0.78	836	0.86	874	0.94	911	1.03	947	1.13	982	1.23	1017	1.34	1051	1.44
2640	757	0.78	802	0.86	847	0.96	888	1.07	924	1.16	959	1.25	993	1.35	1026	1.45	1058	1.56	1089	1.68
2880	818	1.00	858	1.08	900	1.18	940	1.30	977	1.41	1010	1.51	1042	1.61	1073	1.71	1104	1.82	1133	1.94

CFM	External Static Pressure (Inches of Water)									
	1.10		1.20		1.30		1.40		1.50	
	RPM	BHP	RPM	BHP	RPM	BHP	RPM	BHP	RPM	BHP
1920	1023	1.13	1059	1.23	1093	1.32	1126	1.42	1156	1.51
2160	1053	1.32	1087	1.42	1121	1.52	1153	1.62	1185	1.72
2400	1085	1.54	1119	1.65	1151	1.75	1182	1.85	1214	1.96
2640	1122	1.79	1153	1.90	1184	2.01	1215	2.13	-	-
2880	1163	2.07	1192	2.19	1221	2.31	-	-	-	-

Notes:
 Data Includes Pressure Drop Due To Wet Coils And Filters.
 1 1/2 HP - Fan Motor Heat (MBH) = 2.915 x Fan BHP + 0.451
 2 HP - Fan Motor Heat (MBH) = 3.000 x Fan BHP + 0.500

Factory Supplied Motors, In Commercial Equipment, Are Definite Purpose Motors, Specifically Designed And Tested To Operate Reliably And Continuously At All Cataloged Conditions. Using The Full Horsepower Range Of Our Fan Motors As Shown In Our Tabular Data Will Not Result In Nuisance Tripping Or Premature Motor Failure. Our Product's Warranty Will Not Be Affected.

Performance Data

Table PD-14 - Belt Drive Evaporator Fan Performance - YSC090AD*L - Low Heat - Downflow Configuration - (SI)

m³/h	External Static Pressure (Pascals)																			
	25		50		75		100		125		150		175		200		225		250	
	RPM	kW	RPM	kW	RPM	kW	RPM	kW	RPM	kW	RPM	kW	RPM	kW	RPM	kW	RPM	kW	RPM	kW
1.50 Nom kW Standard Motor & Low Static Drive											1.50 Nom kW Standard Motor & Drive									
4080	-	-	-	-	676	0.44	726	0.50	773	0.57	815	0.64	854	0.70	891	0.77	928	0.84	963	0.91
4590	-	-	682	0.50	727	0.57	770	0.64	814	0.71	856	0.79	895	0.86	931	0.94	965	1.01	998	1.08
5100	693	0.59	738	0.66	780	0.73	819	0.80	858	0.88	898	0.96	936	1.05	972	1.13	1006	1.21	1038	1.29
5610	753	0.77	795	0.85	834	0.92	871	1.00	906	1.08	942	1.17	978	1.26	1014	1.35	1048	1.44	1080	1.53
6120	814	0.97	853	1.07	890	1.15	925	1.23	958	1.31	991	1.40	1023	1.50	1057	1.60	1088	1.70	1121	1.80

2.24 Nom kW Over-Sized Motor & Hi Static Drive

CFM	External Static Pressure (Pascals)									
	275		300		325		350		375	
	RPM	kW	RPM	kW	RPM	kW	RPM	kW	RPM	kW
1.50 Nom kW Standard Motor & Drive										
4080	996	0.98	1028	1.06	1061	1.14	1092	1.21	1122	1.29
4590	1031	1.16	1062	1.24	1093	1.32	1123	1.41	1153	1.49
5100	1070	1.38	1099	1.46	1128	1.54	1158	1.63	1185	1.72
5610	1110	1.62	1139	1.71	1167	1.80	1195	1.89	1222	1.98
6120	1151	1.90	1181	2.00	1208	2.10	1236	2.20	1261	2.29

1.50 Nom kW Standard Motor & Hi Static Drive

1.50 Nom kW Standard Motor & Hi Static Drive

Notes:

Data Includes Pressure Drop Due To Wet Coils And Filters.
 1.50 kW - Fan Motor Heat (kW) = 1.178 x Fan kW + 0.464
 2.24 kW - Fan Motor Heat (kW) = 1.138 x Fan kW + 0.139

Factory Supplied Motors, In Commercial Equipment, Are Definite Purpose Motors, Specifically Designed And Tested To Operate Reliably And Continuously At All Cataloged Conditions. Using The Full Horsepower Range Of Our Fan Motors As Shown In Our Tabular Data Will Not Result In Nuisance Tripping Or Premature Motor Failure. Our Product's Warranty Will Not Be Affected.

Table PD-14a - Belt Drive Evaporator Fan Performance - YSC090AD*L - Low Heat - Downflow Configuration - (IP)

CFM	External Static Pressure (Inches of Water)																			
	.10		.20		.30		.40		.50		.60		.70		.80		.90		1.00	
	RPM	BHP	RPM	BHP	RPM	BHP	RPM	BHP	RPM	BHP	RPM	BHP	RPM	BHP	RPM	BHP	RPM	BHP	RPM	BHP
2 HP Standard Motor & Low Static Drive									2 HP Standard Motor & Drive											
2400	-	-	-	-	676	0.59	726	0.67	773	0.77	815	0.85	854	0.94	891	1.03	928	1.12	963	1.22
2700	-	-	682	0.68	727	0.76	770	0.85	814	0.95	856	1.06	895	1.16	931	1.25	965	1.35	998	1.45
3000	693	0.79	738	0.89	780	0.97	819	1.07	858	1.18	898	1.29	936	1.40	972	1.52	1006	1.63	1038	1.73
3300	753	1.03	795	1.14	834	1.23	871	1.33	906	1.45	942	1.56	978	1.69	1014	1.81	1048	1.94	1080	2.06
3600	814	1.31	853	1.44	890	1.55	925	1.65	958	1.76	991	1.88	1023	2.01	1057	2.14	1088	2.28	1121	2.41

3 HP Over-Sized Motor & Drive

CFM	External Static Pressure (Inches of Water)									
	1.10		1.20		1.30		1.40		1.50	
	RPM	BHP	RPM	BHP	RPM	BHP	RPM	BHP	RPM	BHP
2 HP Standard Motor & Drive										
2400	996	1.32	1028	1.42	1061	1.52	1092	1.63	1122	1.73
2700	1031	1.56	1062	1.66	1093	1.78	1123	1.89	1153	2.00
3000	1070	1.85	1099	1.95	1128	2.07	1158	2.19	1185	2.31
3300	1110	2.18	1139	2.29	1167	2.42	1195	2.54	1222	2.66
3600	1151	2.55	1181	2.68	1208	2.81	1236	2.95	1261	3.07

2 HP Standard Motor & Hi Static Drive

2 HP Standard Motor & Hi Static Drive

Notes:

Data Includes Pressure Drop Due To Wet Coils And Filters.
 2 HP - Fan Motor Heat (MBH) = 3.000 x Fan BHP + 0.500
 3 HP - Fan Motor Heat (MBH) = 2.900 x Fan BHP + 0.475

Factory Supplied Motors, In Commercial Equipment, Are Definite Purpose Motors, Specifically Designed And Tested To Operate Reliably And Continuously At All Cataloged Conditions. Using The Full Horsepower Range Of Our Fan Motors As Shown In Our Tabular Data Will Not Result In Nuisance Tripping Or Premature Motor Failure. Our Product's Warranty Will Not Be Affected.



Performance Data

Table PD-15 - Belt Drive Evaporator Fan Performance - YSC090AD*L - Horizontal Configuration (SI)

m³/h	External Static Pressure (Pascals)																			
	25		50		75		100		125		150		175		200		225		250	
	RPM	kW	RPM	kW	RPM	kW	RPM	kW	RPM	kW	RPM	kW	RPM	kW	RPM	kW	RPM	kW	RPM	kW
1.50 Nom kW Standard Motor & Low Static Drive										1.50 Nom kW Standard Motor & Drive										
4080	-	-	694	0.44	745	0.50	793	0.58	835	0.64	874	0.70	911	0.77	948	0.85	982	0.92	1017	1.00
4590	725	0.54	760	0.60	801	0.66	847	0.73	889	0.82	927	0.89	963	0.96	997	1.03	1030	1.11	1061	1.19
5100	798	0.73	830	0.79	862	0.86	902	0.93	943	1.01	981	1.10	1017	1.19	1050	1.27	1081	1.34	1111	1.42
5610	872	0.96	901	1.03	929	1.10	961	1.17	998	1.25	1036	1.34	1071	1.44	1104	1.54	1135	1.63	1164	1.71
6120	946	1.23	973	1.31	1000	1.38	1025	1.45	1057	1.54	1091	1.62	1125	1.72	2.24 Nom kW Over-Sized Motor & Hi Static Drive					

CFM	External Static Pressure (Pascals)									
	275		300		325		350		375	
	RPM	kW	RPM	kW	RPM	kW	RPM	kW	RPM	kW
1.50 Nom kW Std Mtr & Drive					1.50 Nom kW Std Mtr & Hi Static Drive					
4080	1053	1.08	1087	1.15	1121	1.23	1153	1.31	1185	1.39
4590	1093	1.28	1124	1.37	1156	1.45	1187	1.54	1218	1.63
5100	1141	1.51	1170	1.60	1198	1.70	1227	1.80	1255	1.89
5610	1192	1.79	1220	1.88	1247	1.98	1272	2.07	1299	2.18
6120	1246	2.14	1272	2.23	1298	2.32	1323	2.41	1348	2.52

1.50 Nom kW Std Mtr & Hi Static Drive

Notes:

Data Includes Pressure Drop Due To Wet Coils And Filters.
 1.50 kW - Fan Motor Heat (kW) = 1.178 x Fan kW + 0.464
 2.24 kW - Fan Motor Heat (kW) = 1.138 x Fan kW + 0.139

Factory Supplied Motors, In Commercial Equipment, Are Definite Purpose Motors, Specifically Designed And Tested To Operate Reliably And Continuously At All Cataloged Conditions. Using The Full Horsepower Range Of Our Fan Motors As Shown In Our Tabular Data Will Not Result In Nuisance Tripping Or Premature Motor Failure. Our Product's Warranty Will Not Be Affected.

Table PD-15a - Belt Drive Evaporator Fan Performance - YSC090AD*L - Horizontal Configuration - (IP)

CFM	External Static Pressure (Inches of Water)																			
	.10		.20		.30		.40		.50		.60		.70		.80		.90		1.00	
	RPM	BHP	RPM	BHP	RPM	BHP	RPM	BHP	RPM	BHP	RPM	BHP	RPM	BHP	RPM	BHP	RPM	BHP	RPM	BHP
2 HP Std Motor & Low Static Drive							2 HP Standard Motor & Drive													
2400	-	-	694	0.59	745	0.67	793	0.77	835	0.86	874	0.94	911	1.03	948	1.13	982	1.23	1017	1.34
2700	725	0.73	760	0.80	801	0.88	847	0.98	889	1.09	927	1.19	963	1.28	997	1.38	1030	1.48	1061	1.60
3000	798	0.98	830	1.06	862	1.15	902	1.24	943	1.35	981	1.48	1017	1.60	1050	1.70	1081	1.80	1111	1.90
3300	872	1.28	901	1.38	929	1.47	961	1.56	998	1.67	1036	1.80	1071	1.93	1104	2.07	1135	2.19	1164	2.30
3600	946	1.65	973	1.75	1000	1.85	1025	1.95	1057	2.06	1091	2.17	1125	2.31	3 HP Over-Sized Motor & Hi Static Drive					

2 HP Std Mtr & Hi Static Drive

CFM	External Static Pressure (Inches of Water)									
	1.10		1.20		1.30		1.40		1.50	
	RPM	BHP	RPM	BHP	RPM	BHP	RPM	BHP	RPM	BHP
2 HP Standard Motor & Drive					2 HP Standard Motor & Hi Static Drive					
2400	1053	1.44	1087	1.55	1121	1.65	1153	1.76	1185	1.86
2700	1093	1.71	1124	1.83	1156	1.95	1187	2.06	1218	2.18
3000	1141	2.02	1170	2.15	1198	2.28	1227	2.41	1255	2.54
3300	1192	2.41	1220	2.52	1247	2.65	1272	2.78	1299	2.92
3600	1246	2.87	1272	2.99	1298	3.11	1323	3.24	1348	3.37

Notes:

Data Includes Pressure Drop Due To Wet Coils And Filters.
 2 HP - Fan Motor Heat (MBH) = 3.000 x Fan BHP + 0.500
 3 HP - Fan Motor Heat (MBH) = 2.900 x Fan BHP + 0.475

Factory Supplied Motors, In Commercial Equipment, Are Definite Purpose Motors, Specifically Designed And Tested To Operate Reliably And Continuously At All Cataloged Conditions. Using The Full Horsepower Range Of Our Fan Motors As Shown In Our Tabular Data Will Not Result In Nuisance Tripping Or Premature Motor Failure. Our Product's Warranty Will Not Be Affected.

Performance Data

Table PD-16 - Belt Drive Evaporator Fan Performance - YSC090AD*H - High Heat - Downflow Configuration - (SI)

m³/h	External Static Pressure (Pascals)																			
	25		50		75		100		125		150		175		200		225		250	
	RPM	kW	RPM	kW	RPM	kW	RPM	kW	RPM	kW	RPM	kW	RPM	kW	RPM	kW	RPM	kW	RPM	kW
1.50 Nom kW Standard Motor & Low Static Drive										1.50 Nom kW Standard Motor & Drive										
4080	-	-	697	0.46	745	0.53	790	0.60	830	0.66	869	0.73	906	0.80	941	0.87	976	0.94	1009	1.01
4590	717	0.55	760	0.62	804	0.69	847	0.77	887	0.85	922	0.92	958	0.99	991	1.07	1024	1.14	1055	1.22
5100	787	0.74	826	0.81	865	0.89	905	0.98	943	1.06	979	1.15	1012	1.23	1044	1.31	1075	1.39	1105	1.47
5610	858	0.97	894	1.05	929	1.13	965	1.22	1001	1.32	1036	1.41	1068	1.50	1099	1.59	1129	1.68	1157	1.77
6120	930	1.24	963	1.33	995	1.42	1028	1.51	1061	1.61	1093	1.71	1126	1.82	1157	1.92	1185	2.02	1212	2.11

2.24 Nom kW Over-Sized Motor & Hi Static Drive

CFM	External Static Pressure (Pascals)									
	275		300		325		350		375	
	RPM	kW	RPM	kW	RPM	kW	RPM	kW	RPM	kW
1.50 Nom kW Std Mtr & Drive					1.50 Nom kW Std Motor & Hi Static Drive					
4080	1042	1.09	1073	1.17	1104	1.24	1134	1.32	1163	1.40
4590	1086	1.30	1117	1.39	1146	1.47	1174	1.56	1203	1.65
5100	1134	1.56	1163	1.65	1191	1.74	1218	1.83	1245	1.92
5610	1185	1.86	1212	1.95	1238	2.04	1265	2.14	1292	2.24
6120	1239	2.21	1265	2.31	1290	2.40	1316	2.51	1340	2.61

2.24 Nom kW Over-Sized Motor & Hi Static Drive

Notes:

Data Includes Pressure Drop Due To Wet Coils And Filters.
 1.50 kW - Fan Motor Heat (kW) = 1.178 x Fan kW + 0.464
 2.24 kW - Fan Motor Heat (kW) = 1.138 x Fan kW + 0.139

Factory Supplied Motors, In Commercial Equipment, Are Definite Purpose Motors, Specifically Designed And Tested To Operate Reliably And Continuously At All Cataloged Conditions. Using The Full Horsepower Range Of Our Fan Motors As Shown In Our Tabular Data Will Not Result In Nuisance Tripping Or Premature Motor Failure. Our Product's Warranty Will Not Be Affected.

Table PD-16a - Belt Drive Evaporator Fan Performance - YSC090AD*H - High Heat - Downflow Configuration - (IP)

CFM	External Static Pressure (Inches of Water)																			
	.10		.20		.30		.40		.50		.60		.70		.80		.90		1.00	
	RPM	BHP	RPM	BHP	RPM	BHP	RPM	BHP	RPM	BHP	RPM	BHP	RPM	BHP	RPM	BHP	RPM	BHP	RPM	BHP
2 HP Standard Motor & Low Static Drive							2 HP Standard Motor & Drive													
2400	-	-	697	0.62	745	0.71	790	0.80	830	0.89	869	0.98	906	1.07	941	1.16	976	1.26	1009	1.36
2700	717	0.74	760	0.83	804	0.93	847	1.03	887	1.13	922	1.23	958	1.33	991	1.43	1024	1.53	1055	1.64
3000	787	0.99	826	1.09	865	1.20	905	1.31	943	1.42	979	1.54	1012	1.64	1044	1.76	1075	1.87	1105	1.98
3300	858	1.30	894	1.41	929	1.52	965	1.64	1001	1.77	1036	1.89	1068	2.01	1099	2.13	1129	2.25	1157	2.37
3600	930	1.66	963	1.78	995	1.90	1028	2.03	1061	2.16	1093	2.30	1126	2.43	1157	2.57	1185	2.70	1212	2.83

3 HP Over-Sized Motor & Drive

CFM	External Static Pressure (Inches of Water)									
	1.10		1.20		1.30		1.40		1.50	
	RPM	BHP	RPM	BHP	RPM	BHP	RPM	BHP	RPM	BHP
2 HP Standard Motor & Drive					2 HP Standard Motor & Hi Static Drive					
2400	1042	1.46	1073	1.56	1104	1.67	1134	1.77	1163	1.87
2700	1086	1.75	1117	1.86	1146	1.97	1174	2.09	1203	2.21
3000	1134	2.09	1163	2.21	1191	2.33	1218	2.45	1245	2.58
3300	1185	2.49	1212	2.61	1238	2.74	1265	2.87	1292	3.01
3600	1239	2.96	1265	3.09	1290	3.22	1316	3.36	1340	3.49

3 HP Over-Sized Mtr & Hi Static Drive

Notes:

Data Includes Pressure Drop Due To Wet Coils And Filters.
 2 HP - Fan Motor Heat (MBH) = 3.000 x Fan BHP + 0.500
 3 HP - Fan Motor Heat (MBH) = 2.900 x Fan BHP + 0.475

Factory Supplied Motors, In Commercial Equipment, Are Definite Purpose Motors, Specifically Designed And Tested To Operate Reliably And Continuously At All Cataloged Conditions. Using The Full Horsepower Range Of Our Fan Motors As Shown In Our Tabular Data Will Not Result In Nuisance Tripping Or Premature Motor Failure. Our Product's Warranty Will Not Be Affected.



Performance Data

Table PD-17 - Belt Drive Evaporator Fan Performance - YSC090AD*H - High Heat - Horizontal Configuration (SI)

m³/h	External Static Pressure (Pascals)																				
	25		50		75		100		125		150		175		200		225		250		
	RPM	kW	RPM	kW	RPM	kW	RPM	kW	RPM	kW	RPM	kW	RPM	kW	RPM	kW	RPM	kW	RPM	kW	
1.50 Nom kW Standard Motor & Low Static Drive					1.50 Nom kW Standard Motor & Drive																
4080	713	0.46	764	0.53	811	0.61	851	0.67	889	0.73	926	0.80	962	0.88	997	0.95	1031	1.03	1067	1.11	
4590	790	0.64	837	0.71	880	0.80	919	0.88	955	0.94	989	1.01	1022	1.09	1054	1.17	1086	1.26	1117	1.35	
5100	869	0.87	910	0.94	950	1.03	989	1.12	1023	1.21	1056	1.28	1086	1.36	1116	1.43	1146	1.52	1175	1.62	
5610	949	1.14	985	1.22	1023	1.30	1058	1.40	1092	1.51	1124	1.60	1154	1.68	1182	1.77	1210	1.85	1237	1.94	
6120	1029	1.47	1061	1.55	1096	1.64	1130	1.74	1162	1.85	1193	1.96	1222	2.06	1250	2.16	1276	2.25	1302	2.34	
										2.24 Nom kW Over-Sized Motor & Hi Static Drive											

1.50 Nom kW Std Mtr & Hi Static Drive

CFM	External Static Pressure (Pascals)										
	275		300		325		350		375		
	RPM	kW	RPM	kW	RPM	kW	RPM	kW	RPM	kW	
1.50 Nom kW Std Mtr & Drive				1.50 Nom kW Standard Motor & Hi Static Drive							
4080	1101	1.19	1134	1.26	1166	1.34	1197	1.42	1229	1.50	
4590	1148	1.43	1180	1.52	1210	1.60	1241	1.69	1269	1.78	
5100	1204	1.72	1232	1.81	1260	1.91	1287	2.00	1316	2.10	
5610	1264	2.04	1290	2.14	1316	2.25	1342	2.36	1367	2.46	
6120	1327	2.43	1352	2.53	1376	2.64	1401	2.75	1425	2.87	
2.24 Nom kW Over-Sized Motor & Hi Static Drive											

Notes:

Data Includes Pressure Drop Due To Wet Coils And Filters.
 1.50 kW - Fan Motor Heat (kW) = 1.178 x Fan kW + 0.464
 2.24 kW - Fan Motor Heat (kW) = 1.138 x Fan kW + 0.139

Factory Supplied Motors, In Commercial Equipment, Are Definite Purpose Motors, Specifically Designed And Tested To Operate Reliably And Continuously At All Cataloged Conditions. Using The Full Horsepower Range Of Our Fan Motors As Shown In Our Tabular Data Will Not Result In Nuisance Tripping Or Premature Motor Failure. Our Product's Warranty Will Not Be Affected.

Table PD-17a - Belt Drive Evaporator Fan Performance - YSC090AD*H - High Heat - Horizontal Configuration - (IP)

CFM	External Static Pressure (Inches of Water)																			
	.10		.20		.30		.40		.50		.60		.70		.80		.90		1.00	
	RPM	BHP	RPM	BHP	RPM	BHP	RPM	BHP	RPM	BHP	RPM	BHP	RPM	BHP	RPM	BHP	RPM	BHP	RPM	BHP
2 HP Std Motor & Low Static Drive					2 HP Standard Motor & Drive															
2400	713	0.62	764	0.71	811	0.81	851	0.89	889	0.97	926	1.07	962	1.17	997	1.28	1031	1.38	1067	1.48
2700	790	0.86	837	0.96	880	1.07	919	1.17	955	1.26	989	1.36	1022	1.46	1054	1.57	1086	1.69	1117	1.80
3000	869	1.16	910	1.26	950	1.38	989	1.50	1023	1.62	1056	1.72	1086	1.82	1116	1.92	1146	2.04	1175	2.17
3300	949	1.53	985	1.63	1023	1.75	1058	1.88	1092	2.02	1124	2.15	1154	2.26	1182	2.37	1210	2.48	1237	2.60
3600	1029	1.97	1061	2.07	1096	2.19	1130	2.33	1162	2.48	1193	2.63	1222	2.77	1250	2.89	1276	3.01	1302	3.13
										3 HP Over-Sized Motor & Hi Static Drive										

2 HP Std Mtr & Hi Static Drive

CFM	External Static Pressure (Inches of Water)										
	1.10		1.20		1.30		1.40		1.50		
	RPM	BHP	RPM	BHP	RPM	BHP	RPM	BHP	RPM	BHP	
2 HP Std Mtr & Drive				2 HP Standard Motor & Hi Static Drive							
2400	1101	1.59	1134	1.69	1166	1.80	1197	1.90	1229	2.02	
2700	1148	1.92	1180	2.04	1210	2.15	1241	2.27	1269	2.39	
3000	1204	2.30	1232	2.43	1260	2.56	1287	2.69	1316	2.82	
3300	1264	2.74	1290	2.87	1316	3.02	1342	3.16	1367	3.30	
3600	1327	3.26	1352	3.39	1376	3.54	1401	3.69	1425	3.85	
3 HP Over-Sized Motor & High Static Drive											

Notes:

Data Includes Pressure Drop Due To Wet Coils And Filters.
 2 HP - Fan Motor Heat (MBH) = 3.000 x Fan BHP + 0.500
 3 HP - Fan Motor Heat (MBH) = 2.900 x Fan BHP + 0.475

Factory Supplied Motors, In Commercial Equipment, Are Definite Purpose Motors, Specifically Designed And Tested To Operate Reliably And Continuously At All Cataloged Conditions. Using The Full Horsepower Range Of Our Fan Motors As Shown In Our Tabular Data Will Not Result In Nuisance Tripping Or Premature Motor Failure. Our Product's Warranty Will Not Be Affected.

Performance Data

Table PD-18 - Belt Drive Evaporator Fan Performance - YSC102AD*L - Low Heat - Downflow Configuration - (SI)

m³/h	External Static Pressure (Pascals)																			
	25		50		75		100		125		150		175		200		225		250	
	RPM	kW	RPM	kW	RPM	kW	RPM	kW	RPM	kW	RPM	kW	RPM	kW	RPM	kW	RPM	kW	RPM	kW
1.50 Nom kW Standard Motor & Low Static Drive																1.50 Nom kW Std Mtr & Drive				
4620	-	-	-	-	610	0.44	651	0.53	691	0.62	729	0.70	766	0.80	799	0.89	831	0.99	861	1.10
5200	-	-	617	0.49	656	0.56	693	0.65	731	0.75	766	0.84	800	0.94	834	1.04	865	1.15	895	1.25
5780	628	0.54	667	0.63	704	0.71	739	0.80	772	0.90	806	1.00	838	1.11	870	1.22	900	1.33	931	1.45
6350	684	0.70	719	0.79	754	0.89	787	0.98	817	1.08	848	1.19	879	1.31	908	1.43	937	1.54	966	1.66
6930	740	0.89	772	0.99	805	1.09	836	1.20	865	1.30	893	1.41	921	1.53	949	1.65	977	1.78	1004	1.92

2.24 Nom kW Over-Sized Motor & High Static Drive

m³/h	External Static Pressure (Pascals)																			
	275		300		325		350		375		400		425		450		475		500	
	RPM	kW	RPM	kW	RPM	kW	RPM	kW	RPM	kW	RPM	kW	RPM	kW	RPM	kW	RPM	kW	RPM	kW
1.50 Nom kW Standard Motor & Drive																2.24 Nom kW Over-Sized Motor & High Static Drive				
4620	890	1.21	917	1.31	944	1.43	970	1.54	996	1.66	1022	1.77	1048	1.89	1071	2.01	1096	2.13	1118	2.25
5200	924	1.37	951	1.48	978	1.61	1003	1.73	1027	1.85	1051	1.98	1075	2.11	1098	2.23	1122	2.36	1144	2.49
5780	959	1.56	986	1.68	1012	1.80	1037	1.93	1061	2.06	1084	2.19	1108	2.33	1130	2.46	1153	2.61	1174	2.75
6350	993	1.79	1020	1.91	1046	2.04	1071	2.17	1096	2.30	1119	2.44	1141	2.58	1163	2.72	1185	2.87	1207	3.02
6930	1030	2.04	1056	2.18	1082	2.31	1106	2.44	1131	2.58	1154	2.72	1176	2.86	1199	3.01	1220	3.16	1241	3.31

Notes:
 Data Includes Pressure Drop Due To Wet Coils And Filters.
 1.50 kW - Fan Motor Heat (kW) = 1.178 x Fan kW + 0.464
 2.24 kW - Fan Motor Heat (kW) = 1.138 x Fan kW + 0.139

Factory Supplied Motors, In Commercial Equipment, Are Definite Purpose Motors, Specifically Designed And Tested To Operate Reliably And Continuously At All Cataloged Conditions. Using The Full Horsepower Range Of Our Fan Motors As Shown In Our Tabular Data Will Not Result In Nuisance Tripping Or Premature Motor Failure. Our Product's Warranty Will Not Be Affected.

Table PD-18a - Belt Drive Evaporator Fan Performance - YSC102AD*L - Low Heat - Downflow Configuration - (IP)

CFM	External Static Pressure (Inches of Water)																			
	.10		.20		.30		.40		.50		.60		.70		.80		.90		1.00	
	RPM	BHP	RPM	BHP	RPM	BHP	RPM	BHP	RPM	BHP	RPM	BHP	RPM	BHP	RPM	BHP	RPM	BHP	RPM	BHP
2 HP Standard Motor & Low Static Drive																2 HP Standard Motor & Drive				
2720	-	-	-	-	610	0.59	651	0.71	691	0.83	729	0.94	766	1.07	799	1.19	831	1.33	861	1.47
3060	-	-	617	0.65	656	0.76	693	0.87	731	1.00	766	1.13	800	1.26	834	1.40	865	1.54	895	1.68
3400	628	0.72	667	0.84	704	0.96	739	1.07	772	1.20	806	1.35	838	1.49	870	1.64	900	1.79	931	1.94
3740	684	0.94	719	1.06	754	1.19	787	1.32	817	1.45	848	1.59	879	1.75	908	1.91	937	2.07	966	2.23
4080	740	1.20	772	1.32	805	1.47	836	1.61	865	1.74	893	1.89	921	2.05	949	2.21	977	2.39	1004	2.57

3 HP Over-Sized Motor & Drive

CFM	External Static Pressure (Inches of Water)																			
	1.10		1.20		1.30		1.40		1.50		1.60		1.70		1.80		1.90		2.00	
	RPM	BHP	RPM	BHP	RPM	BHP	RPM	BHP	RPM	BHP	RPM	BHP	RPM	BHP	RPM	BHP	RPM	BHP	RPM	BHP
2 HP Standard Motor & Drive																3 HP Over-Sized Motor & Drive				
2720	890	1.62	917	1.76	944	1.91	970	2.07	996	2.22	1022	2.38	1048	2.54	1071	2.69	1096	2.86	1118	3.02
3060	924	1.84	951	1.99	978	2.15	1003	2.32	1027	2.48	1051	2.65	1075	2.82	1098	2.99	1122	3.17	1144	3.34
3400	959	2.09	986	2.25	1012	2.42	1037	2.59	1061	2.77	1084	2.94	1108	3.13	1130	3.31	1153	3.50	1174	3.68
3740	993	2.39	1020	2.56	1046	2.73	1071	2.90	1096	3.08	1119	3.27	1141	3.45	1163	3.64	1185	3.84	1207	4.04
4080	1030	2.74	1056	2.92	1082	3.10	1106	3.28	1131	3.46	1154	3.65	1176	3.83	1199	4.03	1220	4.23	1241	4.44

Notes:
 Data Includes Pressure Drop Due To Wet Coils And Filters.
 2 HP - Fan Motor Heat (MBH) = 3.000 x Fan BHP + 0.500
 3 HP - Fan Motor Heat (MBH) = 2.900 x Fan BHP + 0.475

Factory Supplied Motors, In Commercial Equipment, Are Definite Purpose Motors, Specifically Designed And Tested To Operate Reliably And Continuously At All Cataloged Conditions. Using The Full Horsepower Range Of Our Fan Motors As Shown In Our Tabular Data Will Not Result In Nuisance Tripping Or Premature Motor Failure. Our Product's Warranty Will Not Be Affected.



Performance Data

Table PD-19 - Belt Drive Evaporator Fan Performance - YSC102AD*L - Horizontal Configuration (SI)

m³/h	External Static Pressure (Pascals)																			
	25		50		75		100		125		150		175		200		225		250	
	RPM	kW	RPM	kW	RPM	kW	RPM	kW	RPM	kW	RPM	kW	RPM	kW	RPM	kW	RPM	kW	RPM	kW
1.50 Nom kW Standard Motor & Low Static Drive									1.50 Nom kW Standard Motor & Drive											
4620	610	0.44	657	0.52	700	0.60	747	0.70	793	0.80	837	0.91	873	1.00	905	1.09	935	1.18	963	1.27
5200	675	0.61	718	0.70	757	0.78	794	0.87	837	0.98	879	1.10	919	1.22	955	1.34	987	1.44	1014	1.54
5780	742	0.82	779	0.91	817	1.01	851	1.10	885	1.21	923	1.33	962	1.46	999	1.59	1033	1.72	1066	1.85
6350	810	1.07	842	1.16	878	1.27	911	1.38	941	1.49	972	1.60	1006	1.73	1041	1.87	1076	2.02	1109	2.17
6930	878	1.37	907	1.47	939	1.58	971	1.70	1000	1.82	1029	1.94	1056	2.06	1087	2.20	1120	2.35	1151	2.50
2.24 Nom kW Over-Sized Motor & High Static Drive																				

m³/h	External Static Pressure (Pascals)																			
	275		300		325		350		375		400		425		450		475		500	
	RPM	kW	RPM	kW	RPM	kW	RPM	kW	RPM	kW	RPM	kW	RPM	kW	RPM	kW	RPM	kW	RPM	kW
1.50 Nom kW Std Mtr & Drive																				
4620	989	1.36	1015	1.45	1038	1.53	1062	1.62	1085	1.71	1108	1.80	1129	1.88	1152	1.98	1172	2.06	1194	2.16
5200	1042	1.64	1067	1.74	1092	1.84	1115	1.94	1138	2.04	1159	2.14	1180	2.23	1200	2.33	1221	2.43	1241	2.53
5780	1093	1.97	1118	2.08	1144	2.19	1167	2.30	1190	2.41	1212	2.52	1233	2.63	1253	2.74	1273	2.85	1292	2.96
6350	1140	2.31	1169	2.45	1195	2.58	1219	2.70	1242	2.83	1264	2.95	1286	3.07	1307	3.19	1326	3.31	-	-
6930	1182	2.66	1213	2.83	1241	2.98	1268	3.14	1292	3.28	-	-	-	-	-	-	-	-	-	-
2.24 Nom kW Over-Sized Motor & High Static Drive																				

Notes: Factory Supplied Motors, In Commercial Equipment, Are Definite Purpose Motors, Specifically Designed And Tested To Operate Reliably And Continuously At All Cataloged Conditions. Using The Full Horsepower Range Of Our Fan Motors As Shown In Our Tabular Data Will Not Result In Nuisance Tripping Or Premature Motor Failure. Our Product's Warranty Will Not Be Affected.

Data Includes Pressure Drop Due To Wet Coils And Filters.
 1.50 kW - Fan Motor Heat (kW) = 1.178 x Fan kW + 0.464
 2.24 kW - Fan Motor Heat (kW) = 1.138 x Fan kW + 0.139

Table PD-19a - Belt Drive Evaporator Fan Performance - YSC102AD*L - Horizontal Configuration - (IP)

CFM	External Static Pressure (Inches of Water)																			
	1.10		1.20		1.30		1.40		1.50		1.60		1.70		1.80		1.90		2.00	
	RPM	BHP	RPM	BHP	RPM	BHP	RPM	BHP	RPM	BHP	RPM	BHP	RPM	BHP	RPM	BHP	RPM	BHP	RPM	BHP
2 HP Standard Motor & Low Static Drive									2 HP Standard Motor & Drive											
2720	610	0.59	657	0.70	700	0.81	747	0.93	793	1.08	837	1.22	873	1.35	905	1.47	935	1.58	963	1.70
3060	675	0.82	718	0.93	757	1.05	794	1.17	837	1.32	879	1.48	919	1.64	955	1.79	987	1.94	1014	2.07
3400	742	1.09	779	1.21	817	1.35	851	1.48	885	1.62	923	1.78	962	1.96	999	2.13	1033	2.31	1066	2.48
3740	810	1.44	842	1.56	878	1.70	911	1.85	941	1.99	972	2.14	1006	2.32	1041	2.51	1076	2.71	1109	2.90
4080	878	1.84	907	1.97	939	2.12	971	2.28	1000	2.44	1029	2.60	1056	2.76	1087	2.95	1120	3.16	1151	3.36
3 HP Over-Sized Motor & Drive																				

CFM	External Static Pressure (Inches of Water)																			
	1.10		1.20		1.30		1.40		1.50		1.60		1.70		1.80		1.90		2.00	
	RPM	BHP	RPM	BHP	RPM	BHP	RPM	BHP	RPM	BHP	RPM	BHP	RPM	BHP	RPM	BHP	RPM	BHP	RPM	BHP
2 HP Standard Motor & Drive									3 HP Over-Sized Motor & Drive											
2720	989	1.82	1015	1.94	1038	2.05	1062	2.17	1085	2.29	1108	2.41	1129	2.53	1152	2.65	1172	2.77	1194	2.89
3060	1042	2.20	1067	2.34	1092	2.47	1115	2.60	1138	2.74	1159	2.87	1180	3.00	1200	3.13	1221	3.26	1241	3.40
3400	1093	2.64	1118	2.78	1144	2.94	1167	3.08	1190	3.23	1212	3.38	1233	3.53	1253	3.67	1273	3.82	1292	3.97
3740	1140	3.10	1169	3.28	1195	3.46	1219	3.63	1242	3.79	1264	3.96	1286	4.12	1307	4.28	1326	4.44	-	-
4080	1182	3.57	1213	3.79	1241	4.00	1268	4.21	1292	4.40	-	-	-	-	-	-	-	-	-	-
3 HP Over-Sized Motor & Drive																				

Notes: Factory Supplied Motors, In Commercial Equipment, Are Definite Purpose Motors, Specifically Designed And Tested To Operate Reliably And Continuously At All Cataloged Conditions. Using The Full Horsepower Range Of Our Fan Motors As Shown In Our Tabular Data Will Not Result In Nuisance Tripping Or Premature Motor Failure. Our Product's Warranty Will Not Be Affected.

Data Includes Pressure Drop Due To Wet Coils And Filters.
 2 HP - Fan Motor Heat (MBH) = 3.000 x Fan BHP + 0.500
 3 HP - Fan Motor Heat (MBH) = 2.900 x Fan BHP + 0.475



Performance Data

Table PD-20 - Belt Drive Evaporator Fan Performance - YSC102AD*H - High Heat - Downflow Configuration - (SI)

External Static Pressure (Pascals)																							
m³/h	25		50		75		100		125		150		175		200		225		250				
	RPM	kW	RPM	kW	RPM	kW	RPM	kW	RPM	kW	RPM	kW	RPM	kW	RPM	kW	RPM	kW	RPM	kW			
1.50 Nom kW Standard Motor & Low Static Drive																		1.50 Nom kW Standard Motor & Drive					
4620	-	-	-	-	636	0.50	676	0.58	716	0.67	752	0.76	787	0.85	819	0.96	850	1.06	879	1.17			
5200	-	-	648	0.55	686	0.63	723	0.73	759	0.82	794	0.92	827	1.02	859	1.13	890	1.23	918	1.34			
5780	667	0.62	704	0.71	738	0.80	772	0.90	805	1.00	837	1.11	869	1.22	900	1.33	929	1.44	959	1.56			
6350	726	0.81	761	0.91	792	1.00	823	1.10	854	1.21	884	1.33	914	1.45	943	1.57	971	1.69	999	1.81			
6930	786	1.03	818	1.14	848	1.24	877	1.34	905	1.46	933	1.58	961	1.71	988	1.84	1015	1.97	1041	2.10			

2.24 Nom kW Over-Sized Motor & High Static Drive

External Static Pressure (Pascals)																							
m³/h	275		300		325		350		375		400		425		450		475		500				
	RPM	kW	RPM	kW	RPM	kW	RPM	kW	RPM	kW	RPM	kW	RPM	kW	RPM	kW	RPM	kW	RPM	kW			
1.50 Nom kW Standard Motor & Drive																		2.24 Nom kW Over-Sized Motor & High Static Drive					
4620	907	1.27	934	1.39	960	1.50	987	1.62	1013	1.73	1038	1.85	1064	1.97	1087	2.09	1111	2.21	1134	2.34			
5200	946	1.46	971	1.58	997	1.70	1023	1.83	1047	1.95	1070	2.08	1094	2.21	1117	2.34	1140	2.47	1163	2.60			
5780	986	1.68	1011	1.80	1037	1.93	1061	2.06	1085	2.19	1107	2.33	1130	2.46	1151	2.60	1174	2.75	1194	2.88			
6350	1025	1.94	1051	2.06	1077	2.19	1100	2.32	1123	2.46	1147	2.61	1168	2.75	1189	2.89	1211	3.04	1231	3.19			
6930	1067	2.23	1092	2.36	1117	2.50	1140	2.64	1164	2.78	1187	2.92	1208	3.07	1229	3.22	-	-	-	-			

Notes:
 Data Includes Pressure Drop Due To Wet Coils And Filters.
 1.50 kW - Fan Motor Heat (kW) = 1.178 x Fan kW + 0.464
 2.24 kW - Fan Motor Heat (kW) = 1.138 x Fan kW + 0.139

Factory Supplied Motors, In Commercial Equipment, Are Definite Purpose Motors, Specifically Designed And Tested To Operate Reliably And Continuously At All Cataloged Conditions. Using The Full Horsepower Range Of Our Fan Motors As Shown In Our Tabular Data Will Not Result In Nuisance Tripping Or Premature Motor Failure. Our Product's Warranty Will Not Be Affected.

Table PD-20a - Belt Drive Evaporator Fan Performance - YSC102AD*H - High Heat - Downflow Configuration - (IP)

External Static Pressure (Inches of Water)																							
CFM	1.10		1.20		1.30		1.40		1.50		1.60		1.70		1.80		1.90		2.00				
	RPM	BHP	RPM	BHP	RPM	BHP	RPM	BHP	RPM	BHP	RPM	BHP	RPM	BHP	RPM	BHP	RPM	BHP	RPM	BHP			
2 HP Standard Motor & Low Static Drive																		2 HP Standard Motor & Drive					
2720	-	-	-	-	636	0.66	676	0.78	716	0.90	752	1.02	787	1.15	819	1.28	850	1.42	879	1.56			
3060	-	-	648	0.73	686	0.85	723	0.97	759	1.10	794	1.24	827	1.37	859	1.51	890	1.65	918	1.80			
3400	667	0.84	704	0.95	738	1.07	772	1.20	805	1.34	837	1.49	869	1.64	900	1.79	929	1.94	959	2.09			
3740	726	1.09	761	1.22	792	1.34	823	1.47	854	1.62	884	1.78	914	1.94	943	2.11	971	2.26	999	2.43			
4080	786	1.38	818	1.53	848	1.66	877	1.80	905	1.95	933	2.12	961	2.29	988	2.46	1015	2.64	1041	2.82			

3 HP Over-Sized Motor & Drive

External Static Pressure (Inches of Water)																							
CFM	1.10		1.20		1.30		1.40		1.50		1.60		1.70		1.80		1.90		2.00				
	RPM	BHP	RPM	BHP	RPM	BHP	RPM	BHP	RPM	BHP	RPM	BHP	RPM	BHP	RPM	BHP	RPM	BHP	RPM	BHP			
2 HP Standard Motor & Drive																		3 HP Over-Sized Motor & Drive					
2720	907	1.71	934	1.86	960	2.01	987	2.17	1013	2.32	1038	2.48	1064	2.64	1087	2.80	1111	2.97	1134	3.14			
3060	946	1.96	971	2.11	997	2.28	1023	2.45	1047	2.62	1070	2.79	1094	2.96	1117	3.13	1140	3.31	1163	3.49			
3400	986	2.25	1011	2.41	1037	2.59	1061	2.76	1085	2.94	1107	3.12	1130	3.30	1151	3.48	1174	3.69	1194	3.87			
3740	1025	2.60	1051	2.77	1077	2.94	1100	3.12	1123	3.30	1147	3.50	1168	3.68	1189	3.88	1211	4.08	1231	4.28			
4080	1067	2.99	1092	3.17	1117	3.36	1140	3.54	1164	3.73	1187	3.92	1208	4.12	1229	4.32	-	-	-	-			

Notes:
 Data Includes Pressure Drop Due To Wet Coils And Filters.
 2 HP - Fan Motor Heat (MBH) = 3.000 x Fan BHP + 0.500
 3 HP - Fan Motor Heat (MBH) = 2.900 x Fan BHP + 0.475

Factory Supplied Motors, In Commercial Equipment, Are Definite Purpose Motors, Specifically Designed And Tested To Operate Reliably And Continuously At All Cataloged Conditions. Using The Full Horsepower Range Of Our Fan Motors As Shown In Our Tabular Data Will Not Result In Nuisance Tripping Or Premature Motor Failure. Our Product's Warranty Will Not Be Affected.



Performance Data

Table PD-21 - Belt Drive Evaporator Fan Performance - YSC102AD*H - High Heat - Horizontal Configuration (SI)

m³/h	External Static Pressure (Pascals)																			
	25		50		75		100		125		150		175		200		225		250	
	RPM	kW	RPM	kW	RPM	kW	RPM	kW	RPM	kW	RPM	kW	RPM	kW	RPM	kW	RPM	kW	RPM	kW
1.50 Nom kW Std Mtr & Low Static Drive					1.50 Nom kW Standard Motor & Drive															
4620	651	0.51	694	0.59	740	0.68	787	0.79	831	0.89	869	0.99	901	1.08	931	1.17	959	1.26	986	1.35
5200	722	0.70	761	0.79	798	0.88	841	1.00	883	1.11	923	1.23	958	1.35	989	1.45	1017	1.55	1045	1.65
5780	793	0.94	830	1.04	863	1.14	898	1.25	937	1.37	975	1.51	1011	1.64	1045	1.77	1075	1.89	1103	2.01
6350	865	1.23	899	1.34	930	1.45	961	1.56	994	1.68	1028	1.82	1063	1.96	1097	2.11	1129	2.26	1159	2.40
6930	937	1.57	970	1.70	999	1.81	1027	1.93	1055	2.05	1085	2.19	1118	2.34	1150	2.50	1181	2.66	1211	2.82
2.24 Nom kW Over-Sized Motor & High Static Drive																				

m³/h	External Static Pressure (Pascals)																			
	275		300		325		350		375		400		425		450		475		500	
	RPM	kW	RPM	kW	RPM	kW	RPM	kW	RPM	kW	RPM	kW	RPM	kW	RPM	kW	RPM	kW	RPM	kW
1.50 Nom kW Std Mtr & Drive					2.24 Nom kW Over-Sized Motor & High Static Drive															
4620	1011	1.43	1036	1.52	1059	1.61	1082	1.69	1104	1.78	1127	1.87	1149	1.96	1170	2.05	1191	2.14	1212	2.24
5200	1070	1.75	1094	1.85	1117	1.95	1139	2.05	1161	2.15	1182	2.24	1203	2.35	1222	2.44	1243	2.54	1262	2.64
5780	1128	2.12	1152	2.23	1176	2.34	1198	2.45	1219	2.56	1241	2.67	1261	2.78	1280	2.88	1299	2.99	1319	3.11
6350	1186	2.53	1210	2.65	1233	2.78	1256	2.90	1278	3.03	1298	3.15	1319	3.27	-	-	-	-	-	-
6930	1239	2.97	1267	3.13	1291	3.27	-	-	-	-	-	-	-	-	-	-	-	-	-	-

Notes:
 Data Includes Pressure Drop Due To Wet Coils And Filters.
 1.50 kW - Fan Motor Heat (kW) = 1.178 x Fan kW + 0.464
 2.24 kW - Fan Motor Heat (kW) = 1.138 x Fan kW + 0.139
 Factory Supplied Motors, In Commercial Equipment, Are Definite Purpose Motors, Specifically Designed And Tested To Operate Reliably And Continuously At All Cataloged Conditions. Using The Full Horsepower Range Of Our Fan Motors As Shown In Our Tabular Data Will Not Result In Nuisance Tripping Or Premature Motor Failure. Our Product's Warranty Will Not Be Affected.

Table PD-21a - Belt Drive Evaporator Fan Performance - YSC102AD*H - High Heat - Horizontal Configuration - (IP)

CFM	External Static Pressure (Inches of Water)																			
	1.10		1.20		1.30		1.40		1.50		1.60		1.70		1.80		1.90		2.00	
	RPM	BHP	RPM	BHP	RPM	BHP	RPM	BHP	RPM	BHP	RPM	BHP	RPM	BHP	RPM	BHP	RPM	BHP	RPM	BHP
2 HP Std Motor & Low Static Drive					2 HP Standard Motor & Drive															
2720	651	0.69	694	0.79	740	0.92	787	1.06	831	1.20	869	1.33	901	1.45	931	1.57	959	1.69	986	1.81
3060	722	0.94	761	1.06	798	1.18	841	1.34	883	1.49	923	1.65	958	1.81	989	1.95	1017	2.08	1045	2.22
3400	793	1.26	830	1.40	863	1.53	898	1.67	937	1.84	975	2.02	1011	2.20	1045	2.37	1075	2.54	1103	2.69
3740	865	1.65	899	1.80	930	1.94	961	2.09	994	2.26	1028	2.44	1063	2.63	1097	2.83	1129	3.03	1159	3.22
4080	937	2.11	970	2.27	999	2.43	1027	2.59	1055	2.75	1085	2.94	1118	3.14	1150	3.35	1181	3.57	1211	3.78
3 HP Over-Sized Motor & Drive																				

CFM	External Static Pressure (Inches of Water)																			
	1.10		1.20		1.30		1.40		1.50		1.60		1.70		1.80		1.90		2.00	
	RPM	BHP	RPM	BHP	RPM	BHP	RPM	BHP	RPM	BHP	RPM	BHP	RPM	BHP	RPM	BHP	RPM	BHP	RPM	BHP
2 HP Std Motor & Drive					3 HP Over-Sized Motor & Drive															
2720	1011	1.92	1036	2.04	1059	2.15	1082	2.27	1104	2.39	1127	2.51	1149	2.64	1170	2.75	1191	2.88	1212	3.00
3060	1070	2.35	1094	2.48	1117	2.61	1139	2.75	1161	2.88	1182	3.01	1203	3.15	1222	3.27	1243	3.41	1262	3.54
3400	1128	2.84	1152	2.99	1176	3.14	1198	3.29	1219	3.43	1241	3.58	1261	3.73	1280	3.87	1299	4.02	1319	4.17
3740	1186	3.40	1210	3.56	1233	3.73	1256	3.90	1278	4.06	1298	4.22	1319	4.39	-	-	-	-	-	-
4080	1239	3.99	1267	4.20	1291	4.39	-	-	-	-	-	-	-	-	-	-	-	-	-	-

Notes:
 Data Includes Pressure Drop Due To Wet Coils And Filters.
 2 HP - Fan Motor Heat (MBH) = 3.000 x Fan BHP + 0.500
 3 HP - Fan Motor Heat (MBH) = 2.900 x Fan BHP + 0.475
 Factory Supplied Motors, In Commercial Equipment, Are Definite Purpose Motors, Specifically Designed And Tested To Operate Reliably And Continuously At All Cataloged Conditions. Using The Full Horsepower Range Of Our Fan Motors As Shown In Our Tabular Data Will Not Result In Nuisance Tripping Or Premature Motor Failure. Our Product's Warranty Will Not Be Affected.



Performance Data

Table PD-22 - Belt Drive Evaporator Fan Performance - YSC120AD*L - Low Heat - Downflow Configuration - (SI)

m³/h	External Static Pressure (Pascals)																			
	25		50		75		100		125		150		175		200		225		250	
	RPM	kW	RPM	kW	RPM	kW	RPM	kW	RPM	kW	RPM	kW	RPM	kW	RPM	kW	RPM	kW	RPM	kW
2.24 Nom kW Standard Motor & Low Static Drive																2.24 Nom kW Standard Motor & Drive				
5440	-	-	-	-	691	0.66	727	0.75	763	0.85	798	0.95	832	1.06	863	1.16	895	1.27	924	1.39
6120	-	-	717	0.77	751	0.86	784	0.95	816	1.06	848	1.17	879	1.29	910	1.41	940	1.53	968	1.64
6800	746	0.90	780	1.00	813	1.11	843	1.21	873	1.31	902	1.43	931	1.56	959	1.69	986	1.82	1014	1.94
7480	814	1.17	845	1.29	876	1.41	905	1.52	932	1.63	959	1.74	985	1.87	1012	2.01	1037	2.14	1063	2.29
8160	883	1.50	911	1.62	940	1.75	967	1.88	993	2.00	1018	2.12	1042	2.24	1067	2.38	1091	2.53	1115	2.68

m³/h	External Static Pressure (Pascals)																			
	275		300		325		350		375		400		425		450		475		500	
	RPM	kW	RPM	kW	RPM	kW	RPM	kW	RPM	kW	RPM	kW	RPM	kW	RPM	kW	RPM	kW	RPM	kW
2.24 Nom kW Standard Motor & Drive																2.24 Nom kW Standard Motor & High Static Drive				
5440	952	1.50	979	1.63	1004	1.75	1029	1.87	1053	2.00	1078	2.13	1101	2.27	1124	2.41	1146	2.54	1169	3.59
6120	996	1.77	1023	1.89	1049	2.02	1073	2.15	1097	2.29	1120	2.43	1142	2.56	1164	2.71	1186	2.85	1207	4.02
6800	1041	2.08	1067	2.21	1092	2.34	1117	2.48	1141	2.62	1164	2.76	1186	2.91	1208	3.06	1228	3.20	-	-
7480	1088	2.43	1113	2.57	1137	2.72	1162	2.87	1185	3.01	1207	3.16	1229	3.30	-	-	-	-	-	-
8160	1139	2.83	1161	2.99	1185	3.15	1208	3.30	-	-	-	-	-	-	-	-	-	-	-	-

Notes:
Data Includes Pressure Drop Due To Wet Coils And Filters.
2.24 kW - Fan Motor Heat (kW) = 1.138 x Fan kW + 0.139

Factory Supplied Motors, In Commercial Equipment, Are Definite Purpose Motors, Specifically Designed And Tested To Operate Reliably And Continuously At All Cataloged Conditions. Using The Full Horsepower Range Of Our Fan Motors As Shown In Our Tabular Data Will Not Result In Nuisance Tripping Or Premature Motor Failure. Our Product's Warranty Will Not Be Affected.

Table PD-22a - Belt Drive Evaporator Fan Performance - YSC120AD*L - Low Heat - Downflow Configuration - (IP)

CFM	External Static Pressure (Inches of Water)																			
	1.10		1.20		1.30		1.40		1.50		1.60		1.70		1.80		1.90		2.00	
	RPM	BHP	RPM	BHP	RPM	BHP	RPM	BHP	RPM	BHP	RPM	BHP	RPM	BHP	RPM	BHP	RPM	BHP	RPM	BHP
3 HP Standard Motor & Low Static Drive																3 HP Std Motor & Drive				
3200	-	-	-	-	691	0.88	727	1.00	763	1.14	798	1.28	832	1.42	863	1.56	895	1.71	924	1.86
3600	-	-	717	1.03	751	1.15	784	1.28	816	1.42	848	1.57	879	1.73	910	1.89	940	2.05	968	2.20
4000	746	1.21	780	1.35	813	1.49	843	1.62	873	1.76	902	1.92	931	2.09	959	2.26	986	2.43	1014	2.61
4400	814	1.57	845	1.73	876	1.88	905	2.03	932	2.18	959	2.34	985	2.51	1012	2.69	1037	2.88	1063	3.07
4800	883	2.02	911	2.18	940	2.35	967	2.52	993	2.68	1018	2.84	1042	3.01	1067	3.20	1091	3.39	1115	3.59

CFM	External Static Pressure (Inches of Water)																			
	1.10		1.20		1.30		1.40		1.50		1.60		1.70		1.80		1.90		2.00	
	RPM	BHP	RPM	BHP	RPM	BHP	RPM	BHP	RPM	BHP	RPM	BHP	RPM	BHP	RPM	BHP	RPM	BHP	RPM	BHP
3 HP Standard Motor & Drive																3 HP Standard Motor & High Static Drive				
3200	952	2.01	979	2.18	1004	2.34	1029	2.51	1053	2.68	1078	2.86	1101	3.04	1124	3.23	1146	3.41	1169	3.59
3600	996	2.37	1023	2.53	1049	2.71	1073	2.88	1097	3.07	1120	3.25	1142	3.43	1164	3.63	1186	3.83	1207	4.02
4000	1041	2.79	1067	2.96	1092	3.14	1117	3.33	1141	3.51	1164	3.7	1186	3.90	1208	4.10	1228	4.30	-	-
4400	1088	3.26	1113	3.45	1137	3.64	1162	3.84	1185	4.04	1207	4.23	1229	4.43	-	-	-	-	-	-
4800	1139	3.80	1161	4.00	1185	4.22	1208	4.43	-	-	-	-	-	-	-	-	-	-	-	-

Notes:
Data Includes Pressure Drop Due To Wet Coils And Filters.
3 HP - Fan Motor Heat (MBH) = 2.900 x Fan BHP + 0.475

Factory Supplied Motors, In Commercial Equipment, Are Definite Purpose Motors, Specifically Designed And Tested To Operate Reliably And Continuously At All Cataloged Conditions. Using The Full Horsepower Range Of Our Fan Motors As Shown In Our Tabular Data Will Not Result In Nuisance Tripping Or Premature Motor Failure. Our Product's Warranty Will Not Be Affected.



Performance Data

Table PD-23 - Belt Drive Evaporator Fan Performance - YSC120AD*L - Horizontal Configuration (SI)

m³/h	External Static Pressure (Pascals)																				
	25		50		75		100		125		150		175		200		225		250		
	RPM	kW	RPM	kW	RPM	kW	RPM	kW	RPM	kW	RPM	kW	RPM	kW	RPM	kW	RPM	kW	RPM	kW	
2.24 Nom kW Standard Motor & Low Static Drive											2.24 Nom kW Standard Motor & Drive										
5440	719	0.72	761	0.82	798	0.91	834	1.01	875	1.13	916	1.25	955	1.38	991	1.50	1022	1.61	1050	1.72	
6120	799	1.00	836	1.11	872	1.21	904	1.32	936	1.43	972	1.56	1009	1.70	1045	1.84	1079	1.98	1111	2.12	
6800	881	1.35	913	1.46	947	1.58	977	1.70	1006	1.82	1035	1.94	1066	2.08	1100	2.23	1133	2.38	1165	2.54	
7480	963	1.78	992	1.89	1023	2.02	1052	2.16	1079	2.28	1106	2.41	1132	2.54	1160	2.69	1189	2.85	1219	3.02	
8160	1045	2.29	1072	2.41	1099	2.54	1127	2.69	1154	2.83	1179	2.97	1203	3.11	1227	3.25	2.24 Nom kW Standard Motor & High Static Drive				

m³/h	External Static Pressure (Pascals)																			
	275		300		325		350		375		400		425		450		475		500	
	RPM	kW	RPM	kW	RPM	kW	RPM	kW	RPM	kW	RPM	kW	RPM	kW	RPM	kW	RPM	kW	RPM	kW
2.24 Nom kW Standard Motor & Drive											2.24 Nom kW Standard Motor & High Static Drive									
5440	1077	1.83	1103	1.94	1126	2.04	1150	2.14	1171	2.24	1193	2.35	1214	2.45	1233	2.55	1253	2.65	1274	3.46
6120	1140	2.25	1165	2.37	1190	2.49	1214	2.61	1235	2.73	1257	2.85	1279	2.97	1298	3.08	1317	3.19	1338	4.10
6800	1196	2.70	1225	2.86	1252	3.00	1276	3.15	1299	3.28	-	-	-	-	-	-	-	-	-	-
7480	1250	3.19	-	-	-	-	-	-	-	-	-	-	-	-	-	-	-	-	-	-
8160	-	-	-	-	-	-	-	-	-	-	-	-	-	-	-	-	-	-	-	-

Notes: Factory Supplied Motors, In Commercial Equipment, Are Definite Purpose Motors, Specifically Designed And Tested To Operate Reliably And Continuously At All Cataloged Conditions. Using The Full Horsepower Range Of Our Fan Motors As Shown In Our Tabular Data Will Not Result In Nuisance Tripping Or Premature Motor Failure. Our Product's Warranty Will Not Be Affected.

Data Includes Pressure Drop Due To Wet Coils And Filters.
 2.24 kW - Fan Motor Heat (kW) = 1.138 x Fan kW + 0.139

Table PD-23a - Belt Drive Evaporator Fan Performance - YSC120AD*L - Horizontal Configuration - (IP)

CFM	External Static Pressure (Inches of Water)																				
	1.10		1.20		1.30		1.40		1.50		1.60		1.70		1.80		1.90		2.00		
	RPM	BHP	RPM	BHP	RPM	BHP	RPM	BHP	RPM	BHP	RPM	BHP	RPM	BHP	RPM	BHP	RPM	BHP	RPM	BHP	
3 HP Standard Motor & Low Static Drive									3 HP Standard Motor & Drive												
3200	719	0.97	761	1.10	798	1.22	834	1.35	875	1.51	916	1.68	955	1.85	991	2.01	1022	2.16	1050	2.31	
3600	799	1.35	836	1.48	872	1.63	904	1.77	936	1.91	972	2.09	1009	2.28	1045	2.47	1079	2.66	1111	2.84	
4000	881	1.81	913	1.96	947	2.12	977	2.28	1006	2.44	1035	2.60	1066	2.78	1100	2.99	1133	3.20	1165	3.41	
4400	963	2.39	992	2.54	1023	2.71	1052	2.89	1079	3.06	1106	3.23	1132	3.41	1160	3.61	1189	3.82	1219	4.05	
4800	1045	3.07	1072	3.23	1099	3.41	1127	3.61	1154	3.80	1179	3.98	1203	4.17	1227	4.36	3 HP Standard Motor & High Static Drive				

CFM	External Static Pressure (Inches of Water)																			
	1.10		1.20		1.30		1.40		1.50		1.60		1.70		1.80		1.90		2.00	
	RPM	BHP	RPM	BHP	RPM	BHP	RPM	BHP	RPM	BHP	RPM	BHP	RPM	BHP	RPM	BHP	RPM	BHP	RPM	BHP
3 HP Standard Motor & Drive									3 HP Standard Motor & High Static Drive											
3200	1077	2.45	1103	2.60	1126	2.73	1150	2.87	1171	3.01	1193	3.15	1214	3.29	1233	3.42	1253	3.56	1274	3.71
3600	1140	3.02	1165	3.18	1190	3.34	1214	3.51	1235	3.66	1257	3.82	1279	3.98	1298	4.13	1317	4.28	1338	4.45
4000	1196	3.62	1225	3.83	1252	4.03	1276	4.22	1299	4.40	-	-	-	-	-	-	-	-	-	-
4400	1250	4.28	-	-	-	-	-	-	-	-	-	-	-	-	-	-	-	-	-	-
4800	-	-	-	-	-	-	-	-	-	-	-	-	-	-	-	-	-	-	-	-

Notes: Factory Supplied Motors, In Commercial Equipment, Are Definite Purpose Motors, Specifically Designed And Tested To Operate Reliably And Continuously At All Cataloged Conditions. Using The Full Horsepower Range Of Our Fan Motors As Shown In Our Tabular Data Will Not Result In Nuisance Tripping Or Premature Motor Failure. Our Product's Warranty Will Not Be Affected.

Data Includes Pressure Drop Due To Wet Coils And Filters.
 3 HP - Fan Motor Heat (MBH) = 2.900 x Fan BHP + 0.475



Performance Data

Table PD-24 - Belt Drive Evaporator Fan Performance - YSC120AD*H - High Heat - Downflow Configuration - (SI)

m³/h	External Static Pressure (Pascals)																			
	25		50		75		100		125		150		175		200		225		250	
	RPM	kW	RPM	kW	RPM	kW	RPM	kW	RPM	kW	RPM	kW	RPM	kW	RPM	kW	RPM	kW	RPM	kW
2.24 Nom kW Standard Motor & Low Static Drive										2.24 Nom kW Standard Motor & Drive										
5440	-	-	-	-	723	0.74	759	0.84	793	0.94	827	1.05	860	1.15	891	1.26	921	1.37	949	1.49
6120	721	0.78	755	0.87	787	0.96	820	1.07	851	1.18	882	1.30	913	1.42	942	1.54	971	1.66	999	1.78
6800	793	1.04	824	1.15	854	1.25	883	1.36	913	1.48	941	1.60	969	1.73	997	1.86	1024	1.99	1050	2.12
7480	866	1.36	895	1.48	923	1.59	949	1.70	976	1.83	1003	1.96	1029	2.10	1054	2.24	1079	2.38	1104	2.53
8160	939	1.75	967	1.87	992	1.99	1017	2.12	1042	2.24	1066	2.38	1090	2.52	1114	2.67	1138	2.83	1161	2.98

m³/h	External Static Pressure (Pascals)																			
	275		300		325		350		375		400		425		450		475		500	
	RPM	kW	RPM	kW	RPM	kW	RPM	kW	RPM	kW	RPM	kW	RPM	kW	RPM	kW	RPM	kW	RPM	kW
2.24 Nom kW Standard Motor & Drive										2.24 Nom kW Standard Motor & High Static Drive										
5440	976	1.61	1001	1.73	1027	1.86	1051	1.99	1075	2.12	1098	2.25	1120	2.38	1143	2.52	1166	2.66	1189	3.59
6120	1025	1.90	1052	2.03	1076	2.17	1100	2.30	1122	2.44	1145	2.58	1167	2.73	1188	2.87	1210	3.02	1230	4.02
6800	1076	2.26	1101	2.39	1126	2.53	1149	2.67	1172	2.81	1194	2.96	1216	3.12	1236	3.26	-	-	-	-
7480	1129	2.67	1153	2.81	1176	2.96	1200	3.11	1222	3.26	-	-	-	-	-	-	-	-	-	-
8160	1184	3.14	1207	3.30	-	-	-	-	-	-	-	-	-	-	-	-	-	-	-	-

Notes:
Data Includes Pressure Drop Due To Wet Coils And Filters.
2.24 kW - Fan Motor Heat (kW) = 1.138 x Fan kW + 0.139

Factory Supplied Motors, In Commercial Equipment, Are Definite Purpose Motors, Specifically Designed And Tested To Operate Reliably And Continuously At All Cataloged Conditions. Using The Full Horsepower Range Of Our Fan Motors As Shown In Our Tabular Data Will Not Result In Nuisance Tripping Or Premature Motor Failure. Our Product's Warranty Will Not Be Affected.

Table PD-24a - Belt Drive Evaporator Fan Performance - YSC120AD*H - High Heat - Downflow Configuration - (IP)

CFM	External Static Pressure (Inches of Water)																			
	1.10		1.20		1.30		1.40		1.50		1.60		1.70		1.80		1.90		2.00	
	RPM	BHP	RPM	BHP	RPM	BHP	RPM	BHP	RPM	BHP	RPM	BHP	RPM	BHP	RPM	BHP	RPM	BHP	RPM	BHP
3 HP Standard Motor & Low Static Drive									3 HP Standard Motor & Drive											
3200	-	-	-	-	723	0.99	759	1.12	793	1.26	827	1.40	860	1.55	891	1.69	921	1.84	949	2.00
3600	721	1.04	755	1.17	787	1.29	820	1.44	851	1.59	882	1.75	913	1.90	942	2.06	971	2.22	999	2.39
4000	793	1.40	824	1.54	854	1.67	883	1.82	913	1.98	941	2.15	969	2.32	997	2.50	1024	2.67	1050	2.85
4400	866	1.83	895	1.98	923	2.13	949	2.28	976	2.45	1003	2.63	1029	2.81	1054	3.00	1079	3.20	1104	3.39
4800	939	2.34	967	2.51	992	2.67	1017	2.84	1042	3.01	1066	3.19	1090	3.38	1114	3.58	1138	3.79	1161	4.00

CFM	External Static Pressure (Inches of Water)																			
	1.10		1.20		1.30		1.40		1.50		1.60		1.70		1.80		1.90		2.00	
	RPM	BHP	RPM	BHP	RPM	BHP	RPM	BHP	RPM	BHP	RPM	BHP	RPM	BHP	RPM	BHP	RPM	BHP	RPM	BHP
3 HP Standard Motor & Drive									3 HP Standard Motor & High Static Drive											
3200	976	2.16	1001	2.32	1027	2.49	1051	2.66	1075	2.84	1098	3.02	1120	3.19	1143	3.38	1166	3.57	1189	3.75
3600	1025	2.55	1052	2.73	1076	2.90	1100	3.09	1122	3.27	1145	3.46	1167	3.66	1188	3.85	1210	4.05	1230	4.25
4000	1076	3.03	1101	3.20	1126	3.40	1149	3.58	1172	3.77	1194	3.97	1216	4.18	1236	4.38	-	-	-	-
4400	1129	3.58	1153	3.77	1176	3.97	1200	4.17	1222	4.37	-	-	-	-	-	-	-	-	-	-
4800	1184	4.21	1207	4.42	-	-	-	-	-	-	-	-	-	-	-	-	-	-	-	-

Notes:
Data Includes Pressure Drop Due To Wet Coils And Filters.
3 HP - Fan Motor Heat (MBH) = 2.900 x Fan BHP + 0.475

Factory Supplied Motors, In Commercial Equipment, Are Definite Purpose Motors, Specifically Designed And Tested To Operate Reliably And Continuously At All Cataloged Conditions. Using The Full Horsepower Range Of Our Fan Motors As Shown In Our Tabular Data Will Not Result In Nuisance Tripping Or Premature Motor Failure. Our Product's Warranty Will Not Be Affected.



Performance Data

Table PD-25 - Belt Drive Evaporator Fan Performance - YSC120AD*H - High Heat - Horizontal Configuration (SI)

External Static Pressure (Pascals)																				
m³/h	25		50		75		100		125		150		175		200		225		250	
	RPM	kW	RPM	kW	RPM	kW	RPM	kW	RPM	kW	RPM	kW	RPM	kW	RPM	kW	RPM	kW	RPM	kW
2.24 Nom kW Standard Motor & Low Static Drive										2.24 Nom kW Standard Motor & Drive										
5440	768	0.84	805	0.93	842	1.03	884	1.15	924	1.28	962	1.40	998	1.52	1028	1.64	1055	1.74	1082	1.85
6120	856	1.16	888	1.27	921	1.37	955	1.49	992	1.63	1028	1.77	1063	1.91	1096	2.05	1126	2.19	1153	2.31
6800	943	1.57	973	1.68	1002	1.80	1031	1.92	1062	2.06	1096	2.21	1129	2.36	1161	2.52	1192	2.68	1222	2.84
7480	1031	2.06	1060	2.19	1086	2.32	1113	2.45	1139	2.57	1167	2.73	1198	2.90	1228	3.07	1257	3.24	-	-
8160	1119	2.58	1146	2.79	1171	2.93	1195	3.07	1219	3.21	1243	3.36	-	-	-	-	-	-	-	-
2.24 Nom kW Standard Motor & High Static Drive																				

External Static Pressure (Pascals)																				
m³/h	275		300		325		350		375		400		425		450		475		500	
	RPM	kW	RPM	kW	RPM	kW	RPM	kW	RPM	kW	RPM	kW	RPM	kW	RPM	kW	RPM	kW	RPM	kW
2.24 Nom kW Standard Motor & Drive										2.24 Nom kW Standard Motor & High Static Drive										
5440	1107	1.95	1131	2.06	1154	2.16	1176	2.27	1197	2.37	1218	2.47	1238	2.58	1257	2.68	1276	2.78	1296	3.59
6120	1178	2.43	1202	2.55	1224	2.67	1247	2.79	1268	2.91	1288	3.02	1308	3.14	1328	3.26	-	-	-	-
6800	1249	2.99	1273	3.13	1296	3.26	-	-	-	-	-	-	-	-	-	-	-	-	-	-
7480	-	-	-	-	-	-	-	-	-	-	-	-	-	-	-	-	-	-	-	-
8160	-	-	-	-	-	-	-	-	-	-	-	-	-	-	-	-	-	-	-	-
2.24 Nom kW Standard Motor & High Static Drive																				

Notes:
 Data Includes Pressure Drop Due To Wet Coils And Filters.
 2.24 kW - Fan Motor Heat (kW) = 1.138 x Fan kW + 0.139

Factory Supplied Motors, In Commercial Equipment, Are Definite Purpose Motors, Specifically Designed And Tested To Operate Reliably And Continuously At All Cataloged Conditions. Using The Full Horsepower Range Of Our Fan Motors As Shown In Our Tabular Data Will Not Result In Nuisance Tripping Or Premature Motor Failure. Our Product's Warranty Will Not Be Affected.

Table PD-25a - Belt Drive Evaporator Fan Performance - YSC120AD*H - High Heat - Horizontal Configuration - (IP)

External Static Pressure (Inches of Water)																				
CFM	1.10		1.20		1.30		1.40		1.50		1.60		1.70		1.80		1.90		2.00	
	RPM	BHP	RPM	BHP	RPM	BHP	RPM	BHP	RPM	BHP	RPM	BHP	RPM	BHP	RPM	BHP	RPM	BHP	RPM	BHP
3 HP Standard Motor & Low Static Drive										3 HP Standard Motor & Drive										
3200	768	1.12	805	1.25	842	1.38	884	1.54	924	1.71	962	1.88	998	2.04	1028	2.19	1055	2.34	1082	2.48
3600	856	1.56	888	1.70	921	1.84	955	2.00	992	2.19	1028	2.37	1063	2.57	1096	2.75	1126	2.93	1153	3.10
4000	943	2.10	973	2.26	1002	2.41	1031	2.58	1062	2.76	1096	2.96	1129	3.17	1161	3.38	1192	3.59	1222	3.81
4400	1031	2.76	1060	2.94	1086	3.11	1113	3.28	1139	3.45	1167	3.66	1198	3.89	1228	4.11	1257	4.34	-	-
4800	1119	3.45	1146	3.74	1171	3.93	1195	4.11	1219	4.30	1243	4.50	-	-	-	-	-	-	-	-
3 HP Standard Motor & High Static Drive																				

External Static Pressure (Inches of Water)																				
CFM	1.10		1.20		1.30		1.40		1.50		1.60		1.70		1.80		1.90		2.00	
	RPM	BHP	RPM	BHP	RPM	BHP	RPM	BHP	RPM	BHP	RPM	BHP	RPM	BHP	RPM	BHP	RPM	BHP	RPM	BHP
3 HP Standard Motor & Drive										3 HP Standard Motor & High Static Drive										
3200	1107	2.62	1131	2.76	1154	2.90	1176	3.04	1197	3.17	1218	3.32	1238	3.46	1257	3.59	1276	3.73	1296	3.87
3600	1178	3.27	1202	3.42	1224	3.58	1247	3.74	1268	3.90	1288	4.05	1308	4.21	1328	4.37	-	-	-	-
4000	1249	4.01	1273	4.19	1296	4.38	-	-	-	-	-	-	-	-	-	-	-	-	-	-
4400	-	-	-	-	-	-	-	-	-	-	-	-	-	-	-	-	-	-	-	-
4800	-	-	-	-	-	-	-	-	-	-	-	-	-	-	-	-	-	-	-	-
3 HP Standard Motor & High Static Drive																				

Notes:
 Data Includes Pressure Drop Due To Wet Coils And Filters.
 3 HP - Fan Motor Heat (MBH) = 2.900 x Fan BHP + 0.475

Factory Supplied Motors, In Commercial Equipment, Are Definite Purpose Motors, Specifically Designed And Tested To Operate Reliably And Continuously At All Cataloged Conditions. Using The Full Horsepower Range Of Our Fan Motors As Shown In Our Tabular Data Will Not Result In Nuisance Tripping Or Premature Motor Failure. Our Product's Warranty Will Not Be Affected.

Performance Data

Table PD-26 - Standard Motor & Sheave/Fan Speed (RPM)

Unit	6 Turns	5 Turns	4 Turns	3 Turns	2 Turns	1 Turns	
Model No.	Open	Open	Open	Open	Open	Open	Closed
YSC060AD	N/A	1036	1105	1174	1243	1312	1381
YSC072ADRL	N/A	698	751	806	859	913	967
YSC072ADRH	N/A	806	860	913	968	1022	1074
YSC090AD	859	913	967	1021	1075	1129	N/A
YSC102AD	786	836	885	934	982	1032	N/A
YSC120AD	894	950	1006	1062	1118	1174	N/A

Factory set at 3 turns open

Table PD-27 - Standard Motor & Low Static Drive Accessory Sheave/Fan Speed (RPM)

Unit	6 Turns	5 Turns	4 Turns	3 Turns	2 Turns	1 Turns	
Model No.	Open	Open	Open	Open	Open	Open	Closed
YSC060AD	N/A	691	760	829	898	967	1036
YSC072ADRL	N/A	537	590	644	698	752	806
YSC090AD	N/A	671	714	757	800	843	886
YSC102AD	N/A	629	664	701	737	773	811
YSC120AD	N/A	717	754	799	844	885	922

Factory set at 3 turns open

Table PD-28 - Standard Motor & High Static Drive Accessory Sheave/Fan Speed (RPM)

Unit	6 Turns	5 Turns	4 Turns	3 Turns	2 Turns	1 Turns	
Model No.	Open	Open	Open	Open	Open	Open	Closed
YSC060AD	N/A	1243	1311	1379	1450	1515	1588
YSC072AD	N/A	967	1021	1075	1128	1183	1235
YSC090AD	1020	1073	1127	1181	1235	1289	N/A
YSC102AD	936	981	1032	1083	1134	1182	N/A
YSC120AD	1062	1118	1174	1229	1285	1341	N/A

Factory set at 3 turns open

Table PD-29 - Oversized Motor & Drive Sheave/Fan Speed (RPM)

Unit	6 Turns	5 Turns	4 Turns	3 Turns	2 Turns	1 Turns	
Model No.	Open	Open	Open	Open	Open	Open	Closed
YSC072AD	N/A	967	1021	1075	1128	1183	1235
YSC090AD	1112	1182	1252	1322	1392	1460	N/A
YSC102AD	N/A	971	1041	1111	1181	1251	1321
YSC120AD	N/A	N/A	N/A	N/A	N/A	N/A	N/A

Factory set at 3 turns open

Table PD-30 - Sound Power Level - dB (ref. 10⁻¹² Watts)

Unit	Octave								Overall
Model No.	63	125	250	500	1000	2000	4000	8000	dBA
YSC060AD	84	91	79	77	74	71	68	63	80
YSC072AD	83	90	86	82	79	75	70	63	85
YSC090AD	83	90	86	83	80	75	71	64	85
YSC102AD	83	89	84	81	77	72	69	62	83
YSC120AD	83	86	80	77	73	69	66	60	79

Note:

Tests follow ARI 270-95



Performance Data

Table PD-31 - Static Pressure Drops Through Accessories - (Pascals)

Unit Model No.	Airflow (m ³ /h)	Standard Filters ¹	Pleated Filters (50 mm)	Economizer with OA/RA Dampers ²			
				100% OA Downflow	100% RA	100% OA Horizontal	100% RA
YSC060AD	2720	25	37	30	11	30	4
	3400	37	55	46	17	46	6
	4080	55	72	64	26	64	9
YSC072AD	3260	10	17	25	2	15	5
	4080	15	22	27	5	20	5
	4890	22	30	33	10	25	10
YSC090AD	4080	15	22	27	5	20	5
	5100	25	32	35	12	30	12
	6120	35	45	52	17	62	20
YSC102AD	4620	12	20	31	7	22	10
	5780	20	27	47	15	45	15
	6930	30	40	75	17	77	22
YSC120AD	5440	17	25	42	12	35	12
	6800	27	37	65	17	75	20
	8160	40	50	85	22	87	25

Notes:

1. Tested with standard filters. The YSC060AD has 25 mm (1 inch) standard filters. The YSC072AD - 120AD has 50 mm (2 inch) standard filters. The difference in pressure drop should be considered when utilizing optional 50 mm (2 inch) pleated filters.
2. OA = Outside Air and RA = Return Air
3. Nominal kW ratings at 380 V

Table PD-31a - Static Pressure Drops Through Accessories - (Inches of Water Column)

Unit Model No.	Airflow (CFM)	Standard Filters ¹	Pleated Filters (2 inch)	Economizer with OA/RA Dampers ²			
				100% OA Downflow	100% RA	100% OA Horizontal	100% RA
YSC060AD	1600	0.10	0.15	0.12	0.04	0.12	0.01
	2000	0.15	0.22	0.18	0.07	0.18	0.02
	2400	0.22	0.29	0.26	0.10	0.26	0.04
YSC072AD	1920	0.04	0.07	0.10	0.01	0.06	0.02
	2400	0.06	0.09	0.11	0.02	0.08	0.02
	2880	0.09	0.12	0.13	0.04	0.10	0.04
YSC090AD	2400	0.06	0.09	0.11	0.02	0.08	0.02
	3000	0.10	0.13	0.14	0.05	0.12	0.05
	3600	0.14	0.18	0.21	0.07	0.25	0.08
YSC102AD	2720	0.05	0.08	0.12	0.03	0.09	0.04
	3400	0.08	0.11	0.19	0.06	0.18	0.06
	4080	0.12	0.16	0.30	0.07	0.31	0.09
YSC120AD	3200	0.07	0.10	0.17	0.05	0.14	0.05
	4000	0.11	0.15	0.26	0.07	0.30	0.08
	4800	0.16	0.20	0.34	0.09	0.35	0.10

Notes:

1. Tested with standard filters. The YSC060AD has 25 mm (1 inch) standard filters. The YSC072AD - 120AD has 50 mm (2 inch) standard filters. The difference in pressure drop should be considered when utilizing optional 50 mm (2 inch) pleated filters.
2. OA = Outside Air and RA = Return Air
3. Nominal kW ratings at 380 V

Performance Data

Table PD-32 — Gas-Fired Heating Capacities for G20, G25, and G31

Unit Model No.	Furnace Model	Heating Input		Heating Output	
		Input kW	Input MBH	Output kW	Output MBH
YSC060*DRL	G80	19.6	67	15.7	54
YSC060*DRH	G120	29.3	100	23.4	80
YSC072*DRL	G120	29.3	100	23.4	80
YSC072*DRH	G200	48.9	167	39.1	134
YSC090*DRL	G120	29.3	100	23.4	80
YSC090*DRH	G200	48.9	167	39.1	134
YSC102*DRL	G150	36.7	125	29.3	100
YSC102*DRH	G250	60.9	208	48.7	166
YSC120*DRL	G150	36.7	125	29.3	100
YSC120*DRH	G250	60.9	208	48.7	166

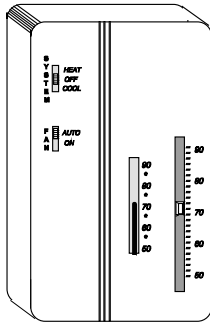
Ratings shown are for elevations up to 2,000 ft. For higher elevations, reduce ratings at a rate of 4% per 1,000 ft. elevation.

Zone Controls

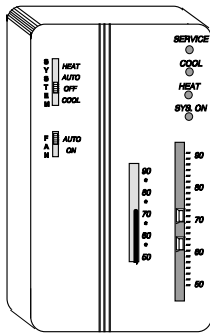
Zone Sensors

Zone Sensors are the building occupant's comfort control devices for Precedent™ units with ReliaTel™ control:

Manual Changeover — Heat, Cool or Off System Switch. Fan Auto or Off Switch. One temperature setpoint lever.



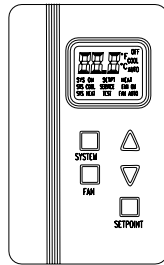
Manual/Automatic Changeover — Auto, Heat, Cool or Off System Switch. Fan Auto or Off Switch. Two temperature setpoint levers. Optional Status Indication LED lights, System On, Heat, Cool, or Service.



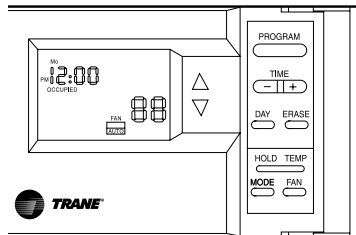
Remote Sensor — Sensor(s) available for all zone sensors to provide remote sensing capabilities.



Non-Programmable Manual Auto Changeover with Digital LCD Display — Auto, heat, cool or off mode selection button. Auto or off fan button. Status indication LCD indicators - System on, heat, cool, or service.

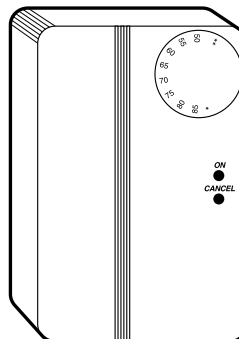


Programmable Night Setback — Auto or manual changeover with seven-day programming. Keyboard selection of Heat, Cool, Fan, Auto, or On. All



programmable sensors have System On, Heat, Cool, Service LED/indicators as standard. Night Setback Sensors have one (1) Occupied, one (1) Un-occupied, and two (2) Override programs per day.

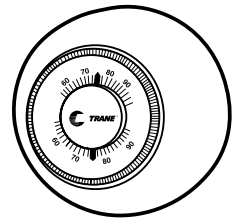
Integrated Comfort™ System — Sensor(s) available with optional temperature adjustment and override buttons to provide central control through a Trane Integrated Comfort™ system.



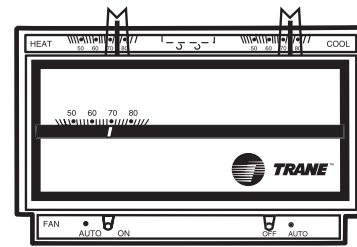
Conventional Thermostats

Conventional Thermostats are the building occupant's comfort control devices when a generic thermostat is desired.

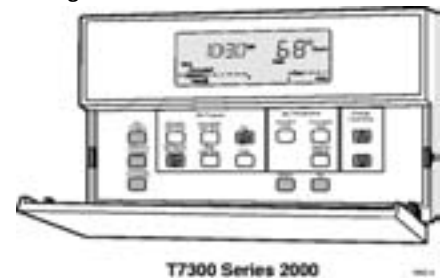
Manual Changeover — One Heat, One Cool Thermostat. Heat, Cool or Off System Switch. Fan Auto or On Switch. Set Point Dial. Adjustable Heat Anticipator.



Automatic Changeover — One Heat, Two Cool Thermostat. Off, Auto System Switch. Auto/On Fan Switch.



Programmable Electronic Night Setback Thermostat — Heating setback and cooling setup with 7-day, programming capability. Available in two-stage heating/cooling or one-stage heating/cooling versions with automatic changeover.



Electrical Data

Table ED-1 – Unit Wiring

Unit Model No.	Unit Operating Voltage Range	Standard Indoor Fan Motor		Oversized Indoor Fan Motor	
		Minimum Circuit Ampacity	Maximum Fuse Size Or Maximum Circuit Breaker ¹	Minimum Circuit Ampacity	Maximum Fuse Size Or Maximum Circuit Breaker ¹
YSC060ADR	342-456	17.7	25	17.7	25
YSC072ADR	342-456	23.2	35	24.2	35
YSC090ADR	342-456	24.8	35	26.5	35
YSC102ADR	342-456	26.8	35	28.5	35
YSC120ADR	342-456	31.2	40	31.2	40

Notes:

1. All units to be installed under local codes

Table ED-2 – Electrical Characteristics - Evaporator Fan Motor - 50 Hz

Unit Model No.	Standard Evaporator Fan Motor						Oversized Evaporator Fan Motor					
	No.	Volts	Phase	HP	Amps		No.	Volts	Phase	HP	Amps	
					FLA	LRA					FLA	LRA
YSC060AD	1	380-415	3	1.5	4.3	25.3	-	-	-	-	-	-
YSC072AD	1	380-415	3	1.5	4.3	25.3	1	380-415	3	2.0	5.3	36.4
YSC090AD	1	380-415	3	2.0	5.3	36.4	1	380-415	3	3.0	7.0	57.0
YSC102AD	1	380-415	3	2.0	5.3	36.4	1	380-415	3	3.0	7.0	57.0
YSC120AD	1	380-415	3	3.0	7.0	57.0	-	-	-	-	-	-

Table ED-3 – Electrical Characteristics - Compressor Motor and Condenser Motor - 50 Hz

Unit Model No.	Compressor Motor							Condenser Fan Motor				
	No.	Volts	Phase	HP ¹	RPM	Amps		No.	Phase	HP	Amps	
						RLA ¹	LRA ¹				FLA	LRA
YSC060AD	1	380-415	3	5.7	2875	9.5	74.00	1	1	0.40	1.9	2.8
YSC072AD	1	380-415	3	7.5	2875	12.7	95.00	1	1	0.75	2.8	7.1
YSC090AD	1	380-415	3	8.3	2875	13.2	100.00	1	1	0.75	2.8	7.1
YSC102AD	2	380-415	3	6.0 / 3.8	2875	9.3 / 6.9	74.0 / 48.0	1	1	0.75	2.8	7.1
YSC120AD	2	380-415	3	6.0 / 4.8	2875	9.9 / 8.5	74.0 / 61.8	1	1	0.75	2.8	7.1

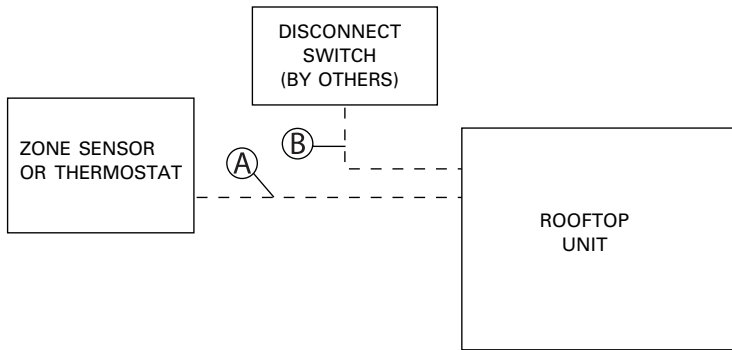
Note:

1. Comp1/Comp2

Table ED-4 Electrical Characteristics - Inducer Motor

Model No.	Heat	Heating Stages	Watts	HP	RPM	Volts	Phase	LRA
YSC060-090*DRL	Low	1	21	1/35	2525	208-230	1	0.6
YSC060*DRH	High							
YSC102-120*DRL	Low	2	50	1/15	2800/2550	208-230	1	0.45
YSC072-120*DRH	High							

Jobsite Connections



Typical Number Of Wires

Zone Sensors

A – Manual Changeover	4
Manual/Auto Changeover	5
Manual/Auto Changeover with Status Indication LED's	10
Programmable Night Setback with Status Indication LED's	7

Thermostats

A – 4 wires, 24-volts
B – 3 Power Wires + 1 Ground Wire (three phase)
2 Power Wires + 1 Ground Wire (single phase)

For specific wiring information, see the installation instructions.

All wiring except power wires is low voltage.

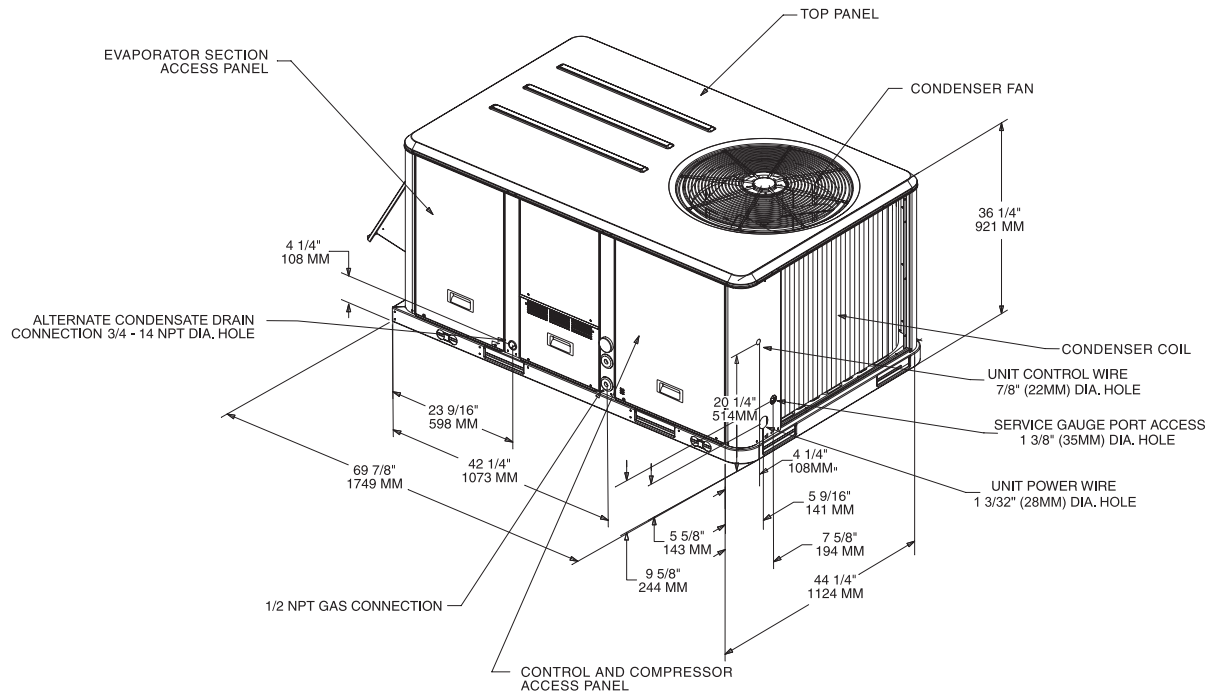
All customer supplied wiring to be copper and must conform to NEC or CEC and local electrical codes. Wiring shown dotted is to be furnished and installed by the customer.

Dimensional Data

YSC060

All dimensions are in inches/millimeters.

YSC060

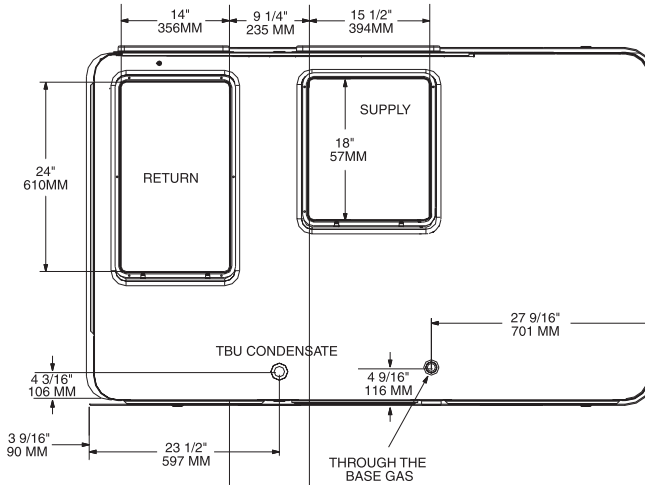


Dimensional Data

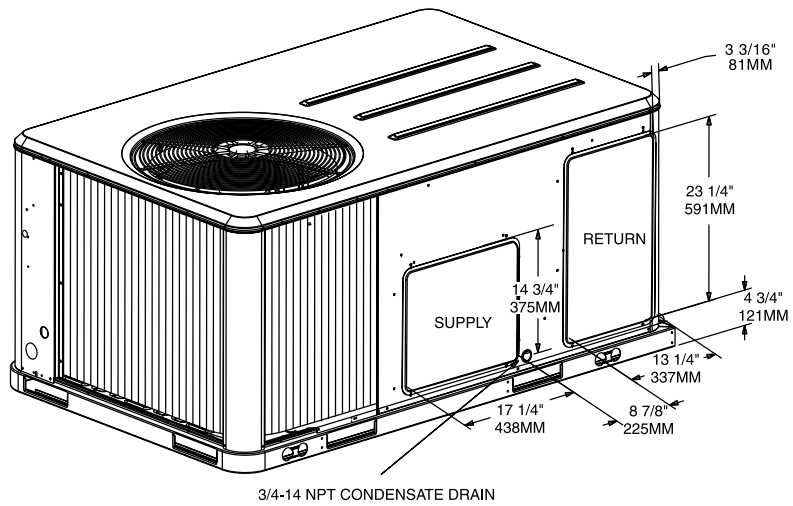
YSC060

All dimensions are in inches/millimeters

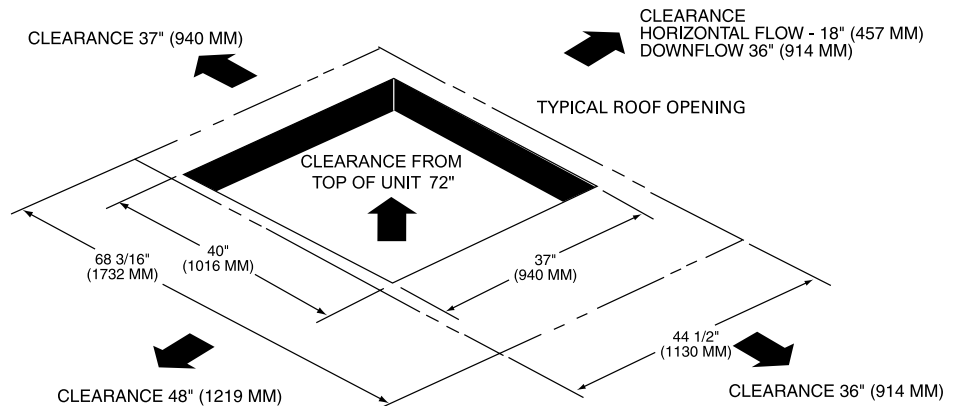
YSC060 — Downflow Airflow Supply and Return



YSC060 — Horizontal Airflow Supply and Return



YSC060 — Unit Clearance and Roof Opening

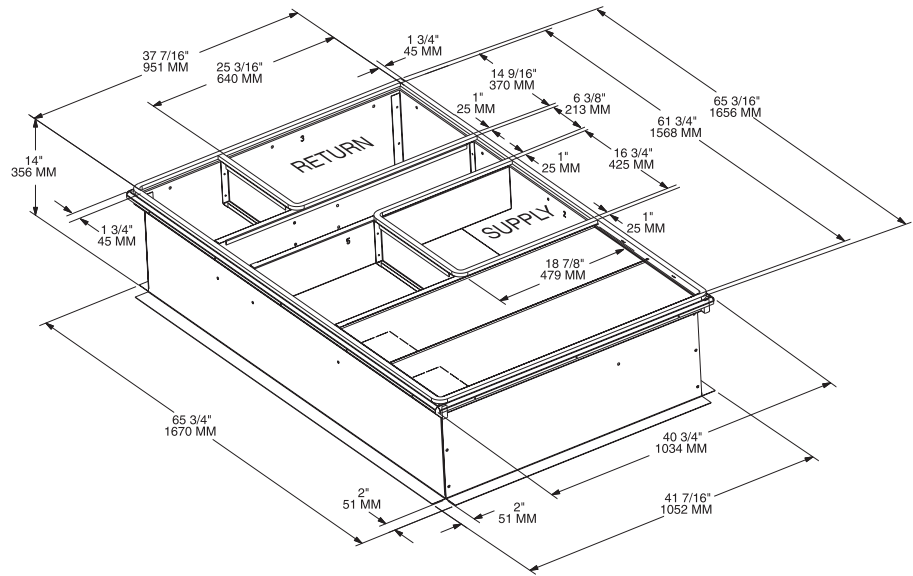


Dimensional Data

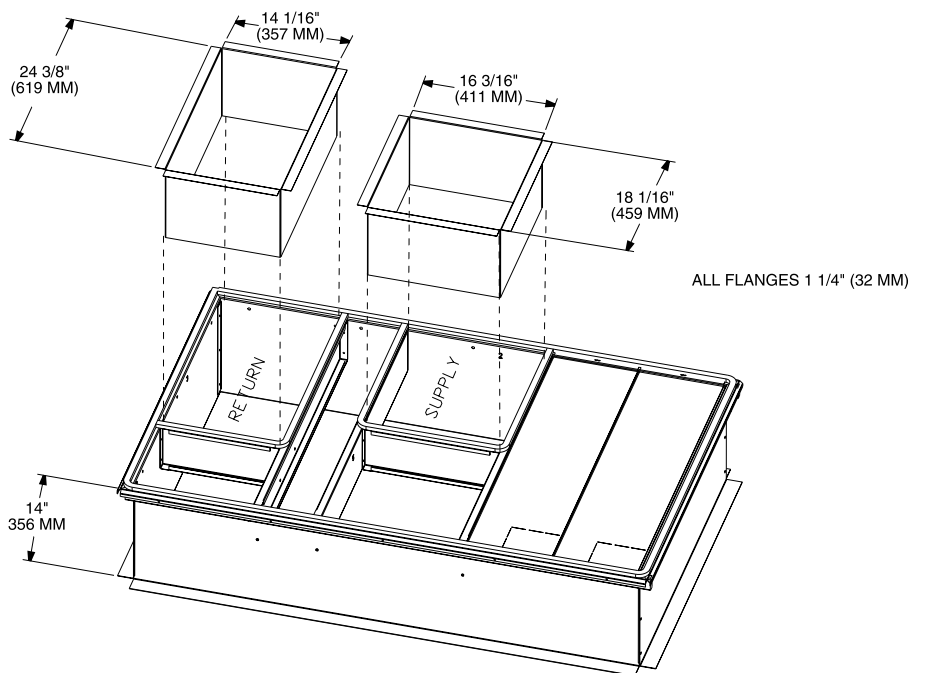
YSC060

All dimensions are in inches/millimeters.

YSC060 – Roof Curb



YSC060 – Downflow Duct Connections – Field Fabricated

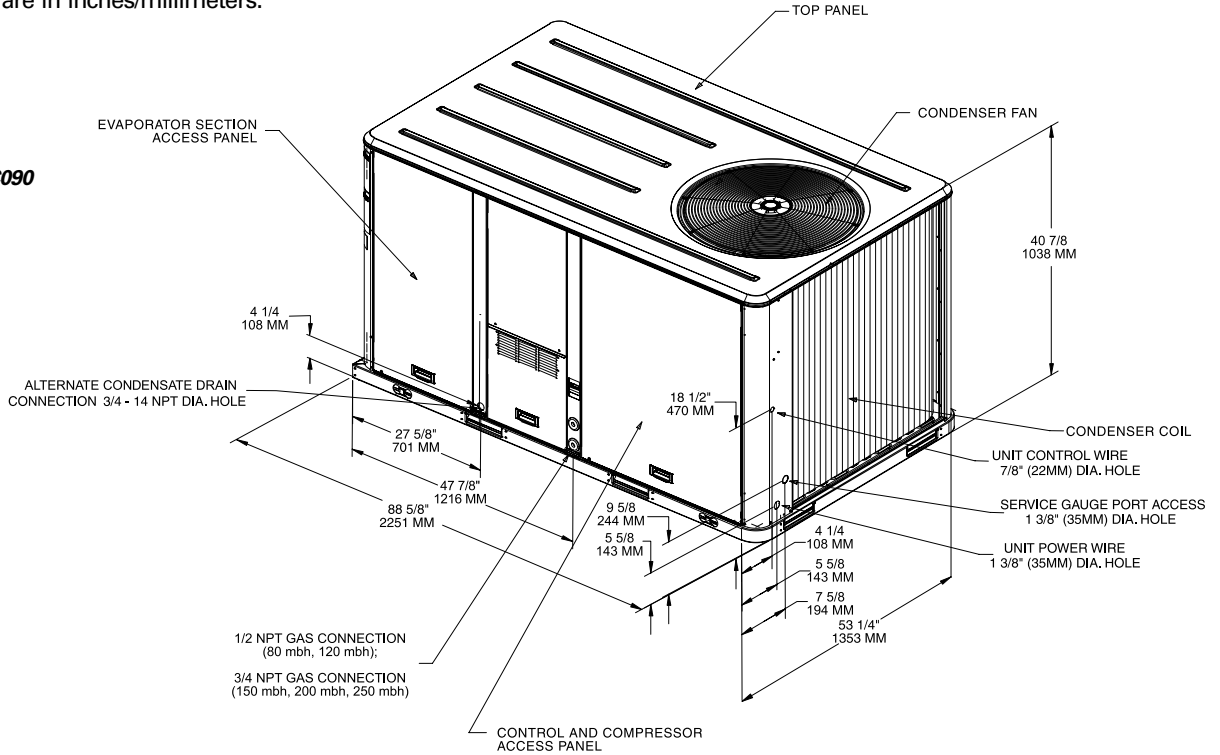


Dimensional Data

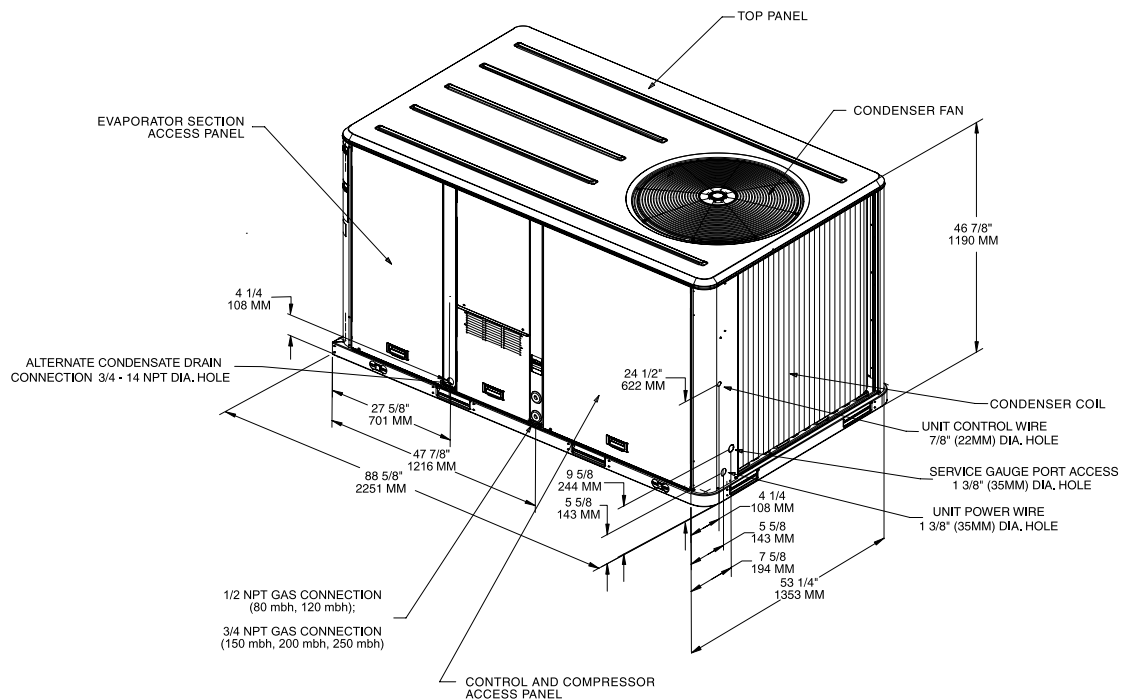
YSC072-120

All dimensions are in inches/millimeters.

YSC072 and YSC090



YSC102 and YSC120

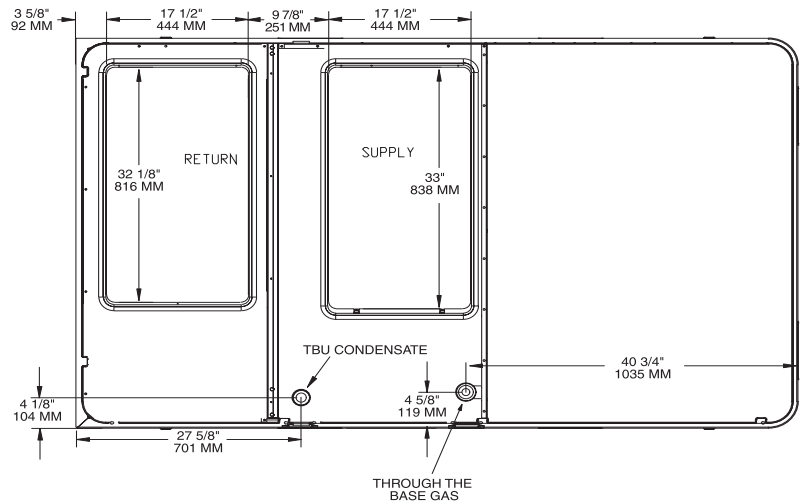


Dimensional Data

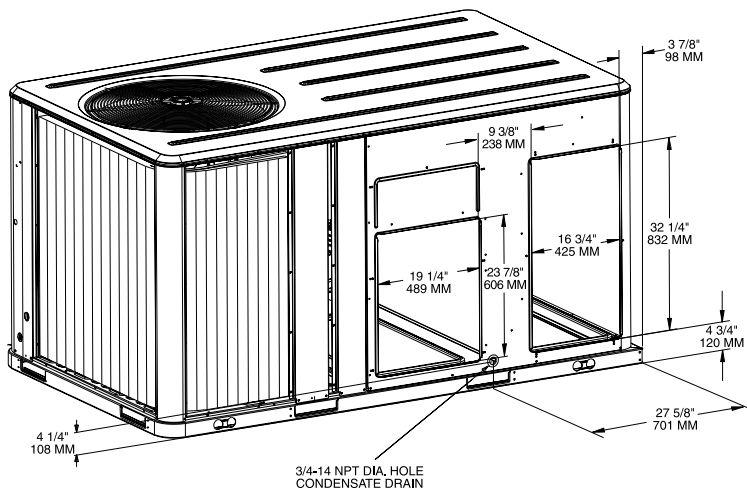
YSC072-120

All dimensions are in inches/millimeters.

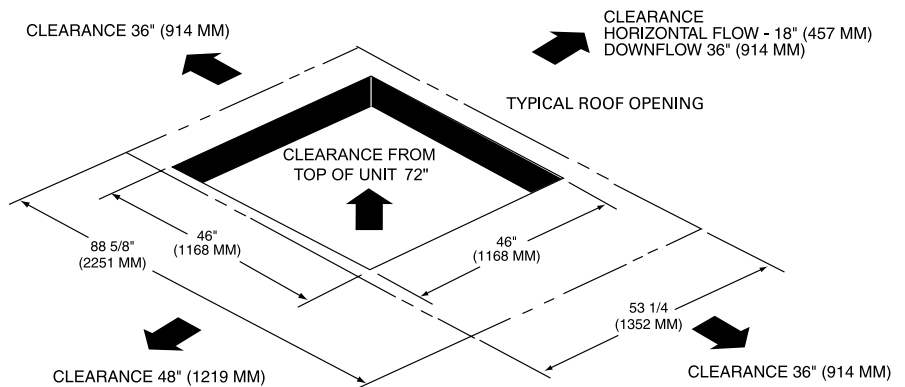
YSC072-120 — Downflow Airflow Supply and Return



YSC072-120 — Horizontal Airflow Supply and Return



YSC072-120 — Unit Clearance and Roof Opening

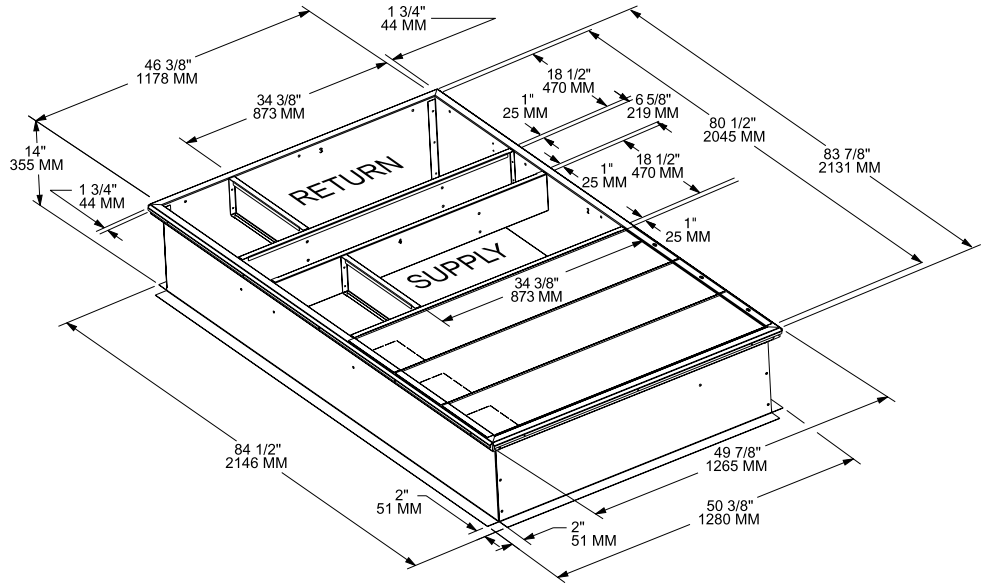


Dimensional Data

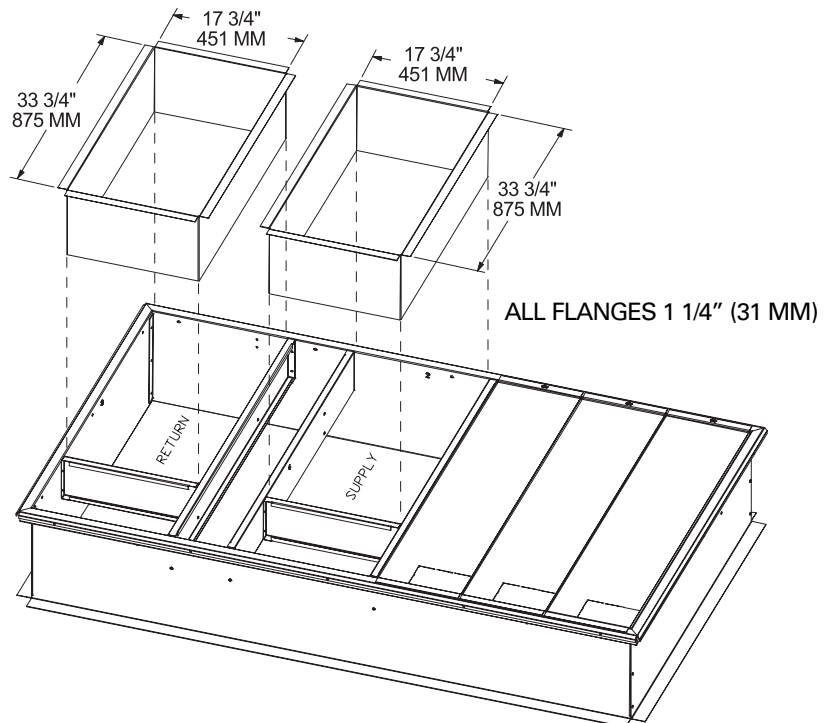
YSC072-120

All dimensions are in inches/millimeters.

YSC072-120 — Roof Curb

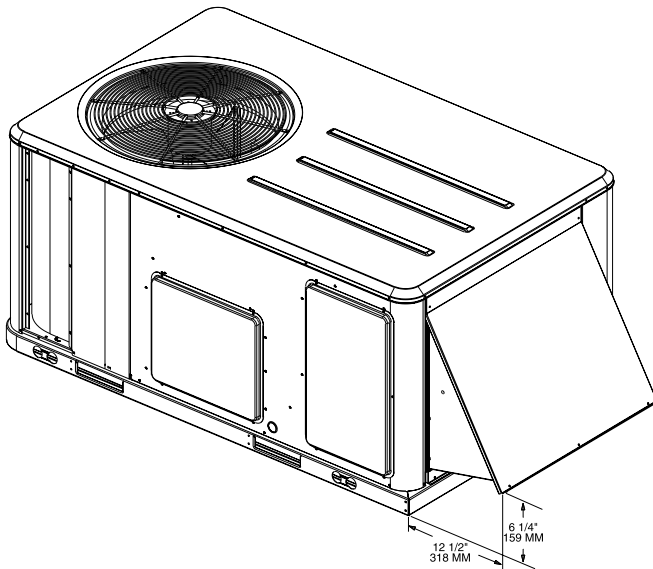


YSC072-120 — Downflow Duct Connections — Field Fabricated

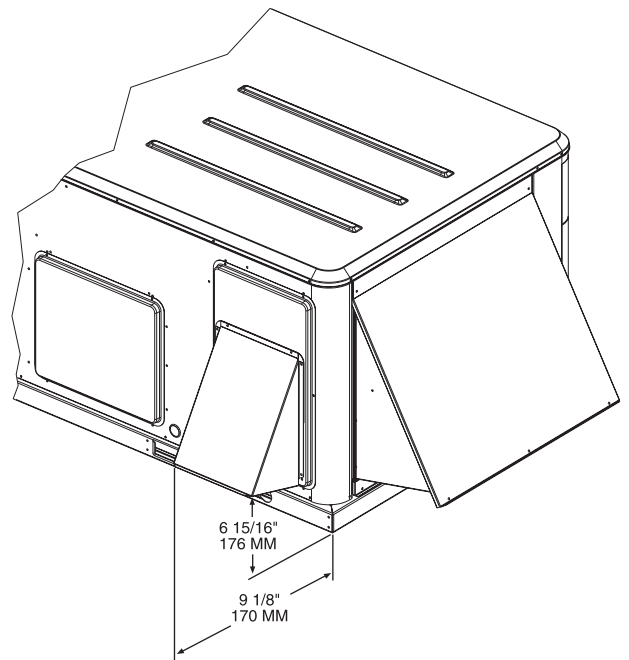


Dimensional Data

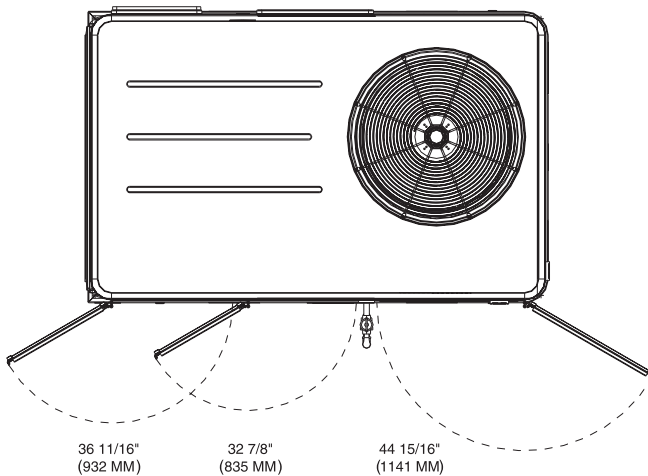
YSC060 Options/ Accessories



YSC060 – Economizer, Manual, or Motorized Damper Hood



YSC060 – Barometric Relief Damper Hood

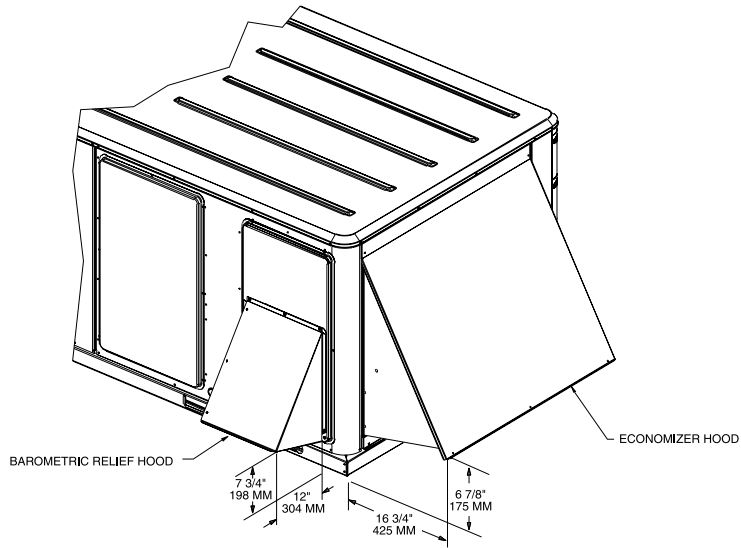


YSC060 – Swing Diameter for Hinged Door(s) Option

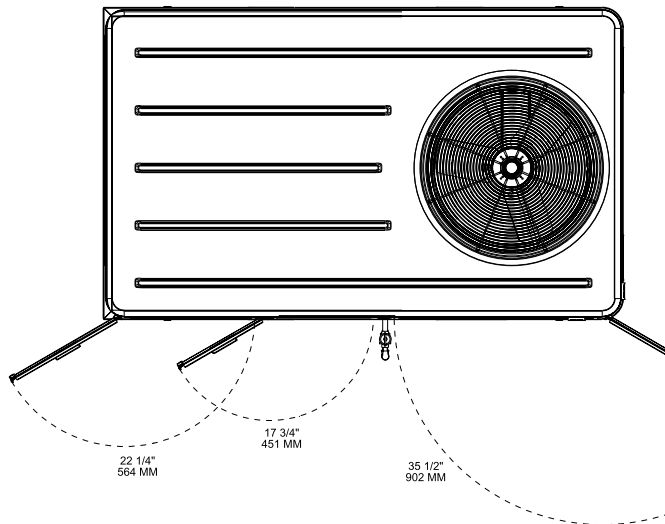
See Page 42 for Through the Base Utilities Information

Dimensional Data

YSC072-120 Options/Accessories



YSC072-120 — Economizer and Barometric Relief Damper Hoods



YSC072-120 — Swing Diameter for Hinged Door(s) Option

Weights

Table W-1 - Maximum Unit and Corner Weights and Center of Gravity Dimensions (SI)

Unit Model No.	Maximum Weights ⁽²⁾ (kg)		Corner Weights ⁽¹⁾ (kg)				Center of Gravity (mm)	
	Shipping ⁽²⁾	Net ⁽²⁾	A	B	C	D	Length	Width
YSC060AD	295	260	81	64	54	62	810	510
YSC072AD	398	350	113	90	64	83	990	560
YSC090AD	466	419	139	110	75	95	970	530
YSC102AD	482	434	141	114	79	100	1020	560
YSC120AD	528	481	155	126	89	111	1020	560

Notes:

(1) Corner weights are given for information only. All models must be supported continuously by a curb or equivalent frame support.

(2) Weights are approximate.

Table W-1a - Maximum Unit and Corner Weights and Center of Gravity Dimensions (IP)

Unit Model No.	Maximum Weights (lbs)		Corner Weights ⁽¹⁾ (lbs)				Center of Gravity (in)	
	Shipping ⁽²⁾	Net	A	B	C	D	Length	Width
YSC060AD	651	574	179	140	119	136	32	20
YSC072AD	877	772	249	198	141	184	39	22
YSC090AD	1028	923	306	243	165	210	38	21
YSC102AD	1062	957	310	252	175	220	40	22
YSC120AD	1165	1060	342	277	197	245	40	22

Notes:

(1) Corner weights are given for information only. All models must be supported continuously by a curb or equivalent frame support.

(2) Weights are approximate.

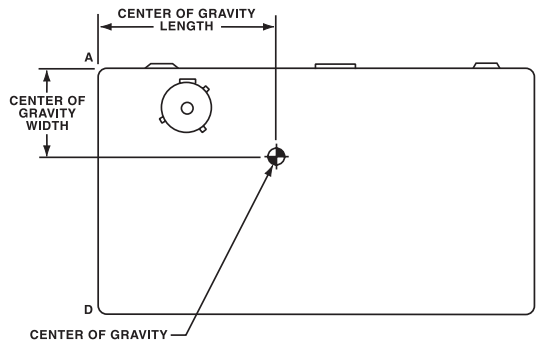


Table W-2 - Accessory Net Weights^{(1) (2)} (kg)

Accessory ⁽³⁾	Net Weights ⁽²⁾	
	YSC060	YSC072-120
Economizer	12	16
Barometric Relief	3	5
Motorized Outside Air Damper	9	14
Manual Outside Air Damper	7	12
Roof Curb	32	52
Oversized Motor	2	4
Coil Guards	5	9
Hinged Doors	5	5
Electric Heaters	7	14

Notes:

(1) Weights for options not listed are < 3 kg.

(2) Net weight should be added to unit weight when ordering factory-installed accessories.

(3) Some accessories not available on all units.

Table W-2a - Accessory Net Weights^{(1) (2)} (lbs)

Accessory ⁽³⁾	Net Weights ⁽²⁾	
	YSC060	YSC072-120
Economizer	26	36
Barometric Relief	7	10
Motorized Outside Air Damper	20	30
Manual Outside Air Damper	16	26
Roof Curb	70	115
Oversized Motor	5	8
Coil Guards	12	20
Hinged Doors	10	12
Electric Heaters	15	30

Notes:

(1) Weights for options not listed are < 5 lbs.

(2) Net weight should be added to unit weight when ordering factory-installed accessories.

(3) Some accessories not available on all units.



Mechanical Specifications

General

Units shall be convertible airflow. Operating range in cooling shall be between 46°C and -18°C (115°F and 0°F) cooling as standard from the factory for all units. All units shall be factory assembled, internally wired, fully charged with R-22, and 100 percent run-tested before leaving the factory. Wiring internal to the unit shall be colored and numbered for simplified identification.

Casing

Unit casing shall be constructed of zinc coated, heavy gauge, galvanized steel. Exterior surfaces shall be cleaned, phosphatized, and finished with a weather-resistant baked enamel finish. Cabinet construction shall allow for all maintenance on one side of the unit. Service panels shall have lifting handles and be removed and reinstalled by removing only a single fastener while providing a water and air tight seal. All exposed vertical panels and top covers in the indoor air section shall be insulated with a cleanable foil faced, fire-retardant permanent, odorless glass fiber material. The base of the unit shall be insulated with 13 mm, 16 kg (1/2 inch, 1 pound) density foil-faced, closed-cell material. All insulation edges shall be either captured or sealed. The unit's base pan shall have no penetrations within the perimeter of the curb other than the raised 29 mm (1 1/8 inch) high downflow supply/return openings to provide an added water integrity precaution, if the condensate drain backs up. The base of the unit shall have provisions for forklift and crane lifting, with forklift capabilities on three sides of the unit.

Unit Top

The top cover shall be one piece construction or, where seams exist, it shall be double-hemmed and gasket-sealed. The ribbed top adds extra strength and prevents water from pooling on unit top.

Filters

25 mm (1 inch), throwaway filters shall be standard on all 5 ton units. The filter rack can be converted to two inch capability. 50 mm (2 inch) filters shall be factory supplied on all 6-10 ton units. Optional two inch pleated filters shall be available.

Compressors

All units shall have direct-drive, hermetic, scroll type compressors with centrifugal type oil pumps. Motor shall be suction gas-cooled and shall have a voltage utilization range of plus or minus 10 percent of unit nameplate voltage. Internal overloads shall be provided with the scroll compressors. Low and high pressure switches shall be standard.

Refrigerant Circuits

Service pressure ports, and refrigerant line filter driers shall be factory-installed as standard. An area shall be provided for replacement suction line driers.

Evaporator And Condenser Coils

Internally finned, 8 mm (5/16") copper tubes mechanically bonded to a configured aluminum plate fin shall be standard. Coils shall be leak tested at the factory to ensure pressure integrity. The evaporator coil and condenser coil shall be leak tested to 1375 kPa (200 psig) and pressure tested to 3100 kPa (450 psig). The condensate coil shall have a patent pending 1 +1+1 hybrid design with slight gaps for ease of cleaning. A removable, reversible, double-sloped condensate drain pan is standard. Provision for through the base condensate drain is standard.

Gas Heating Section

The heating section shall have a progressive tubular heat exchanger design using stainless steel burners and corrosion resistant steel throughout. An induced draft combustion blower shall be used to pull the combustion products through the firing tubes. The heater shall use a direct spark ignition (DSI) system. On initial call for heat, the combustion blower shall purge the heat exchanger for 20 seconds before ignition. After three unsuccessful ignition attempts, the entire heating system shall be locked out until manually reset at the thermostat/zone sensor. Units shall be suitable for use with natural gas or propane (field-installed kit).

Outdoor Fans

The outdoor fans shall be direct-drive, statically and dynamically balanced, draw-through in the vertical discharge position. The fan motor shall be permanently lubricated and shall have built-in thermal overload protection.

Mechanical Specifications

Indoor Fan

All units shall have belt drive motors. Units with belt drive motors shall have an adjustable idler-arm assembly for quick-adjustment to fan belts and motor sheaves. All motors shall be thermally protected. Oversized motors shall be available for high static operations.

Controls

Unit shall be completely factory wired with necessary controls and contactor pressure lugs or terminal block for power wiring. Unit shall have single point power entry as standard. Units shall provide an external location for mounting a fused disconnect device.

Microprocessor controls provide for all 24 volt control functions. With the microprocessor controls, the resident control algorithms shall make all heating, cooling, and/or ventilating decisions in response to electronic signals from sensors measuring indoor and outdoor temperatures. The control algorithm maintains accurate temperature control, minimizes drift from set point, and provides better building comfort. A centralized Microprocessor shall provide anti-short cycle timing and time delay between compressors to provide a higher level of machine protection.

Accessories/Options

Roof Curb

The roof curb shall be designed to mate with the unit's downflow supply and return openings and provide support and a watertight installation when installed properly. The roof curb design shall allow field-fabricated rectangular supply/return ductwork to be connected directly to the curb. Curb shall be shipped knocked down for field assembly and shall include wood nailer strips.

Economizer

This accessory shall be either field or factory-installed and is available with or without barometric relief. The assembly includes fully modulating 0-100 percent motor and dampers, minimum position setting, preset linkage, wiring harness with plug, spring return actuators and fixed dry bulb control. Optional solid state enthalpy and differential enthalpy control shall be either factory or field-installed. The factory-installed economizer arrives in the shipping position and shall be moved to the operating position by the installing contractor.

Phase Monitor

Phase monitor shall provide 100% protection for motors and compressors against problems caused by phase loss, phase imbalance, and phase reversal. Phase monitor is equipped with an LED that provides an ON or FAULT indicator.

Remote Potentiometer

Field-installed, the minimum position setting of economizer shall be adjusted with this accessory.

Motorized Outside Air Dampers

Factory or field-installed manually set outdoor air dampers shall provide up to 50 percent outside air. Once set, outdoor air dampers shall open to set position when indoor fan starts. The damper shall close to the full closed position when indoor fan shuts down.

Manual Outside Air Damper

Factory or field-installed rain hood and screen shall provide up to 50 percent outside air.

Oversized Motors

Factory or field-installed oversized motors shall be available for high static applications.

Discharge Air Sensing

This factory or field option provides true discharge air sensing in heating models. This sensor is a status indicator readable through Tracer™ or Tracker™.

Coil Guards

Hail protection quality coil guards shall be either factory or field-installed for condenser coil protection.

Fan Failure/Clogged Filter Switches

These factory or field-installed options allow for individual fan failure and dirty filter indication. The fan failure switch will disable all unit functions and "flash" the Service LED on the zone sensor. The dirty filter switch will light the Service LED on the zone sensor and will allow continued unit operation.

High Pressure Cutout

All units have High Pressure cutout as standard.

Hinged Access Doors

Sheet metal hinges are available factory-installed on the Filter/Evaporator Access Door, Indoor Fan/Heat Exchanger Door, and the Compressor/Control Access Door.

Black Epoxy Coated Condenser Coil

The coil provides corrosion protection to condenser coils for seacoast application. The protection is a factory applied thermoset vinyl coating, bonded to normal aluminum fin stock. The uniform thickness of the bonded vinyl layer exhibits excellent corrosion protection in salt spray tests.

Mechanical Specifications

Control Options

Comm-3/4 Trane Communication Interface

This factory or field-installed option shall be provided to interface microprocessor controlled units with the Trane Integrated Comfort™ systems.

Comm-5 LonTalk Communication Interface

This factory or field-installed option shall be provided to allow the unit to communicate as a Trane Comm-5 device or directly with generic LonTalk Network Building Automation System Controls.

Zone Sensor

Field-installed, this accessory shall be provided to interface with the Micro equipped units and shall be available in either manual, automatic programmable with night setback, with system malfunction lights or remote sensor options.

Thermostats

Two stage heating and cooling operation or one stage heating and cooling shall be available, for field installation, in either manual or automatic changeover. Automatic programmable electronic with night set back shall also be available.

Reference Enthalpy Control

Replaces the dry bulb control with a wet bulb changeover controller which has a fully adjustable setpoint. Enthalpy control offers a higher level of comfort control, along with energy savings potential, than the standard dry bulb control. This is due to the additional wet bulb sensing capability. This option shall be available for all units. It can be field-installed or factory-installed with the factory-installed economizer.

Differential Enthalpy Control

Replaces the standard dry bulb control with two enthalpy sensors that compare total heat content of the indoor air and outdoor air to determine the most efficient air source. This control option offers the highest level of comfort control, plus energy efficiency, available. This option shall be available for all units. It can be field-installed or factory-installed with the factory-installed economizer.

Low Ambient Cooling

All microprocessor units shall have cooling capabilities down to -18°C (0°F) as standard.



Trane
A business of American Standard Companies
www.trane.com

For more information, contact your local district office or e-mail us at comfort@trane.com

Literature Order Number	RT-PRC017-EN
File Number	PLUN-000-RT-PRC017-EN-02-04
Supersedes	PLUN-000-RT-PRC017-EN-12-03
Stocking Location	03-03 Webb/Mason 02-04 Electronic Only

Trane has a policy of continuous product and product data improvement and reserves the right to change design and specifications without notice.